

PrAMC-7210/7211

Advanced Mezzanine Cards

■ Embedded Computing for
Business-Critical Continuity™

PRELIMINARY DATA SHEET

The AdvancedMC™ solution for applications requiring high availability, scalability, manageability, and low cost

- Intel® Core™ 2 Duo processor core with 4MB L2 cache, running at 1.5 GHz
- 667 MHz frontside bus, connecting processor and Intel® 3100 chipset
- 2GB (possible up to 4GB) DDR-400 memory with ECC support
- MontaVista CGE or Wind River PNE Linux operating environment combined with Basic Blade Services compliant to the Service Availability Forum™ (SA Forum) hardware platform interface (HPI) layer
- AMC front panel support for USB 2.0, Intel® 82551 based 10/100 Fast Ethernet, and serial console port
- 2MB of BIOS flash with boot failover support
- Offered in both Mid Size (7211) and Full Size (7210) AMC variants
- AMC.1 PCI Express: One x8 PCI Express link routed to AMC fabric ports 4-11 supporting auto-negotiation to lower lane-widths, and port bifurcation
- AMC.2 Gigabit Ethernet: Two SerDes links on AMC fabric port 0 & 1 respectively
- AMC.3 SATA: Two SATA links on AMC fabric port 2 & 3 respectively
- JTAG support for debugging

The Emerson Network Power PrAMC-7210 is designed to the AdvancedMC™ (AMC) specifications, making it usable in both AdvancedTCA® carriers as well as MicroTCA™ based applications. The PrAMC-7210 is a perfect fit for applications looking for control plane processing, and other processor intensive applications that needs not only faster data transfers based on Gigabit Ethernet or PCI Express interfaces, but also multi-core processing performance.

The PrAMC-7210 can scale up to 1.5 GHz CPU speeds with memory sizes from 2GB to 4GB (2GB standard), allowing the software reuse for application developers. The Intel 3100 chipset supports integrated north and south bridges, 4-channel DMA engine, DDR2-400 memory, USB, UART, SATA and PCI Express controllers. This reduces both the on-board real estate as well as power consumption. This leaves room for additional features like USB, additional memory, etc. PrAMC-7210 can augment already deployed systems with more processing power required to support new feature development, and easy migration path based on standard interfaces like PCI Express and Gigabit Ethernet.

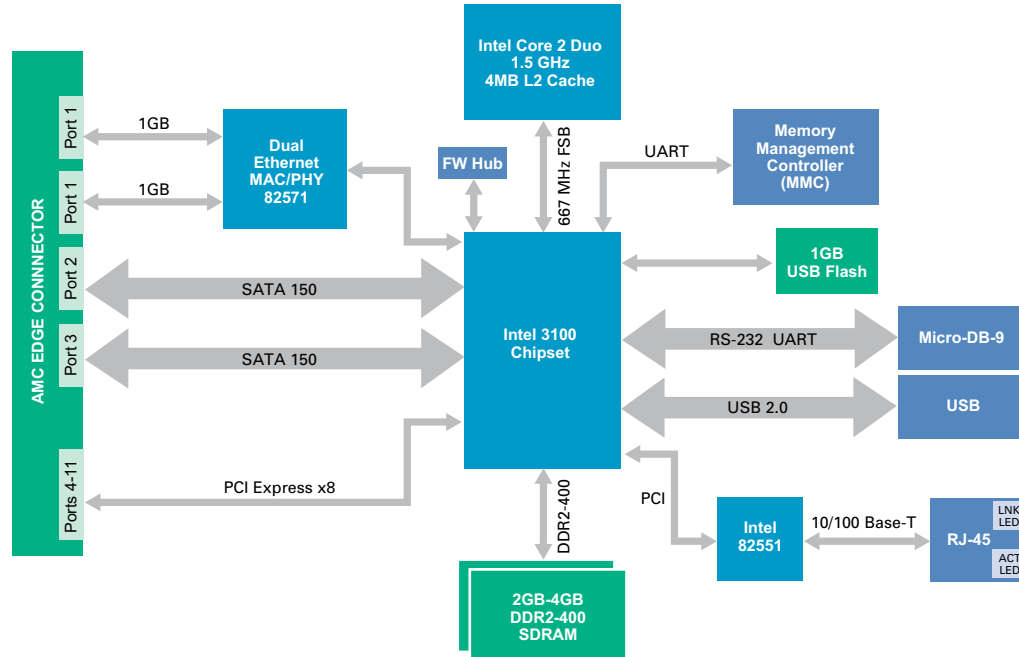
The module management controller (MMC) implementing IPMIv1.5 based management and hot-swap feature allows for module replacement or field upgrades, reducing the system down time to almost zero. Carrier Grade Linux brings forth the high availability features required for telecom applications.



μTCA™


EMERSON™
Network Power

PrAMC-7210 Block Diagram



Specifications

BOARD SPECIFICATIONS

- Available as both Full Size (PrAMC-7210) and Mid Size (PrAMC-7211) AMC
- Compliant to AMC.0 specification

SOFTWARE

- Linux:
 - MontaVista CGE 4.0
 - Wind River GPP/LE, PNE/LE
- Basic Blade Services

SOLUTION SERVICES

Emerson Network Power provides a portfolio of solution services optimized to meet your needs throughout the product lifecycle. Design services help speed time-to-market. Deployment services include global 24x7 technical support. Renewal services enable product longevity and technology refresh. Plus solution extras include enhanced warranty and repairs.

PICMG and AdvancedTCA are registered trademarks, and MicroTCA and AdvancedMC are trademarks of the PCI Industrial Computer Manufacturers Group. Intel is a registered trademark of Intel Corporation or its subsidiaries in the U.S. and other countries. Service Availability Forum is a proprietary trademark used under license. All other product or service names are the property of their respective owners.

This document identifies products, their specifications, and their characteristics, which may be suitable for certain applications. It does not constitute an offer to sell or a commitment of present or future availability, and should not be relied upon to state the terms and conditions, including warranties and disclaimers thereof, on which Emerson Network Power may sell products. A prospective buyer should exercise its own independent judgment to confirm the suitability of the products for particular applications. Emerson Network Power reserves the right to make changes, without notice, to any products or information herein which will, in its sole discretion, improve reliability, function, or design. Emerson Network Power does not assume any liability arising out of the application or use of any product or circuit.

Emerson Network Power.
The global leader in enabling Business-Critical Continuity™.

- | | | |
|---------------------------|------------------------------|---------------------------|
| AC Power Systems | Embedded Power | Precision Cooling |
| Connectivity | Integrated Cabinet Solutions | Services |
| DC Power Systems | Outside Plant | Site Monitoring |
| Embedded Computing | Power Switching & Control | Surge & Signal Protection |

Emerson Network Power

Sales Offices: Tempe, AZ U.S.A. 1 800 759 1107 or +1 602 438 5720, Shanghai, China +86 215292 5693
Paris, France +33 1 69 35 77 00, Tokyo, Japan +81 3 5424 3101, Munich, Germany +49 (0) 89 9 608 2 333
Hong Kong, China +852 2966 3210, Tel Aviv, Israel +972 3 568 4387

EmersonNetworkPower.com/embeddedcomputing

Business-Critical Continuity, Emerson Network Power and the Emerson Network Power logo are trademarks and service marks of Emerson Electric Co.
©2008 Emerson Electric Co.