

MITX-440

Mini-ITX Motherboard

■ Embedded Computing for
Business-Critical Continuity™

PRELIMINARY DATA SHEET

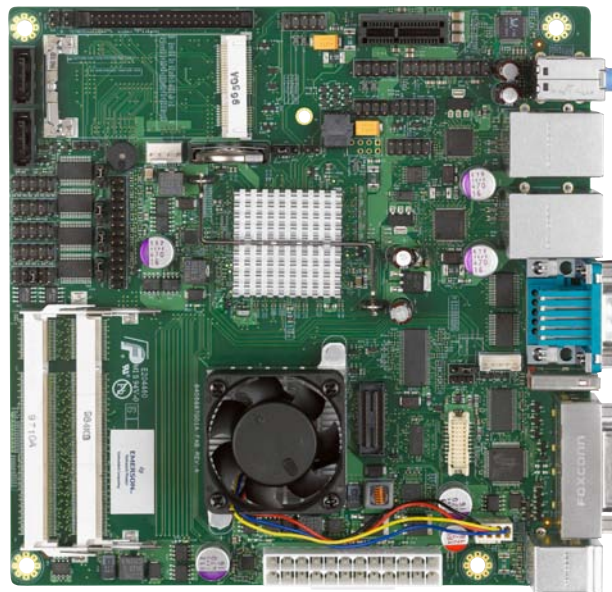
Easy-to-use Mini-ITX motherboard designed for use in POS terminals, intelligent kiosks, ATMs, AV display systems and other applications

- Intel® Atom™ processor D410 or D510 based Mini-ITX board
- Up to 4GB DDR2 memory, on-board USB flash option
- Gigabit Ethernet, SATA and USB ports
- PCI Express x1 and PCI Express Mini Card socket
- Dual display support
- Six serial ports

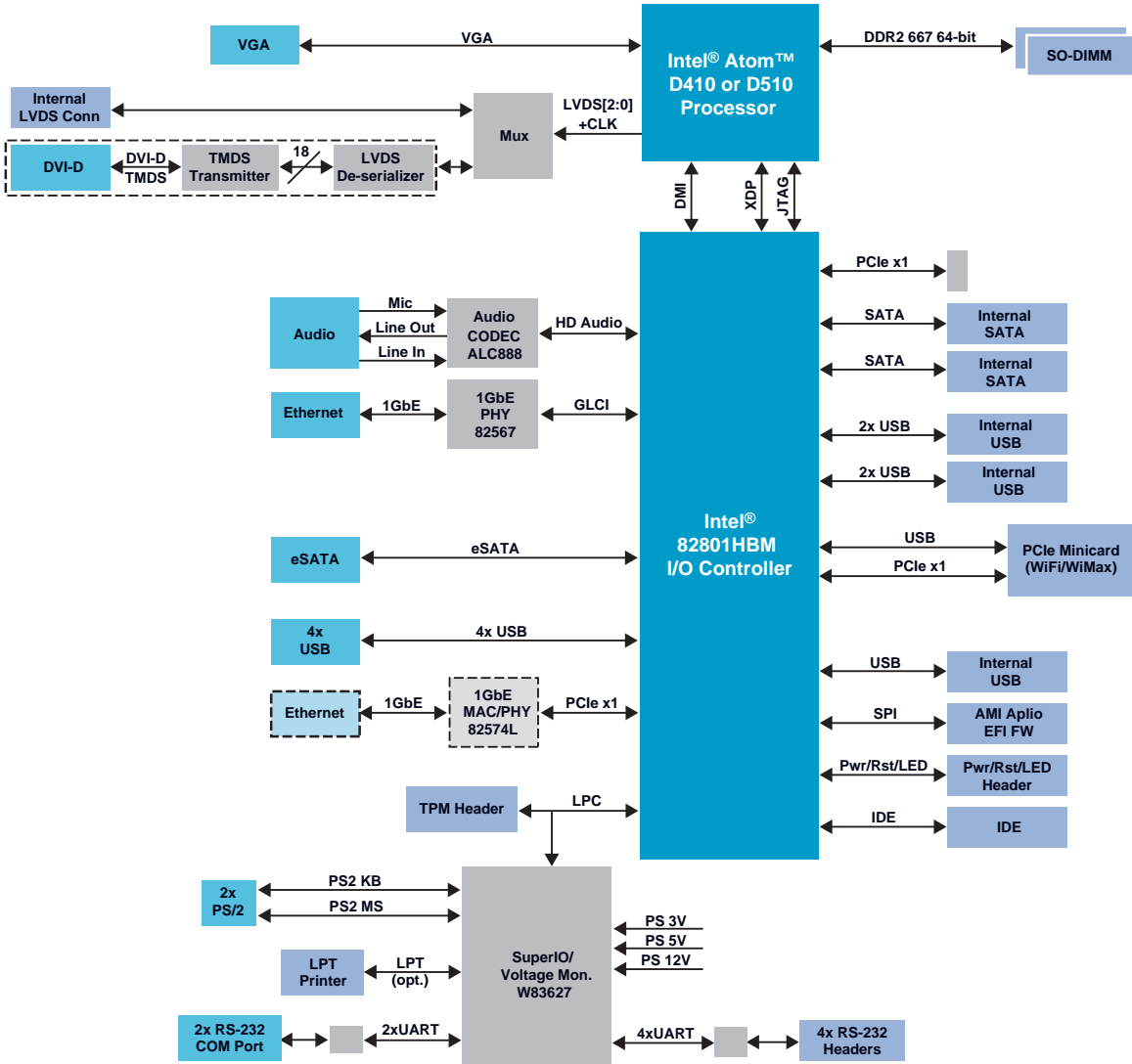
The MITX-440 from Emerson Network Power is a Mini-ITX motherboard based on the Intel® Atom™ processor D410 single-core or D510 dual-core that offers improved processing and graphics performance over existing Mini-ITX Intel Atom based products. It is designed for use in a variety of applications such as point-of-sale terminals, intelligent kiosks, ATMs, audio visual display systems, and other applications that require an easy-to-use Mini-ITX motherboard with support for a variety of operating systems.

With a size format of 170 mm x 170 mm, Mini-ITX motherboards are ideal for embedded applications by being able to provide the right compromise between cost-effective design and feature-rich products. Two versions of MITX-440 are available, one with a single-core processor for low power consumption and a second with a dual-core processor and some additional features for higher performance while still retaining a low power consumption footprint. MITX-440 uses the latest generation Unified Extensible Firmware Interface (UEFI) BIOS from AMLI. This manages the interaction between the low-level hardware interfaces and the OS level in a clean and efficient way that is expected to provide superior reliability, especially considering the flexibility for user I/O.

MITX-440 has a wide range of built-in connectivity including LCD and/or CRT displays; SATA, legacy IDE and USB flash disks; a PCI Express x1 expansion slot and a PCI Express Mini Card socket for Wi-Fi/WiMAX; USB and Gigabit Ethernet networks; TPM header; touch panel interface; audio and multiple serial ports.



Block Diagram



Hardware Specifications

PROCESSOR

- Intel® Atom™ single-core processor D410 or dual-core D510 up to 1.66 GHz

CHIPSET

- Intel® 82801HBM I/O controller

MEMORY

- Two (2) DDR2-667 SO-DIMM sockets. Maximum supported memory capacity is 4GB.

VIDEO

- 400 MHz graphics engine
- Supports dual display outputs with single-channel LVDS and VGA connectivity. LVDS resolution up to 18bpp, XGA (1024x768) and WXGA (1280x800). VGA resolution up to QXGA 2048x1536 pixels, 32 bits, 60Hz

STANDARD REAR I/O

- Up to two (2) Gigabit Ethernet
- Nine (9) USB 2.0
- One (1) eSATA
- One (1) VGA
- Two (2) RS-232 Serial
- Line In, Line Out and Microphone
- PS/2 Keyboard and Mouse

OPTIONAL REAR I/O

- One (1) Additional Gigabit Ethernet (2 total)
- One (1) DVI

POWER CONSUMPTION

- 29W Typical (for dual-core processor variant with 4GB DRAM driving 12.1" LCD panel)

COMPLIANCE AND CERTIFICATION INFORMATION

- EMC and Safety
 - ▲ Class B (FCC, VCCI, MIC, AS/NZ)
 - ▲ UL, CSA, Ctick

Firmware and Operating System Support

BIOS

- AMI UEFI BIOS

OS COMPATIBILITY:

- Microsoft® Windows® XP
- Windows® Vista®
- WEPOS
- Fedora Core 11 Linux

Package Contents

- Mini-ITX Motherboard
- Drivers CD
- Cable Pack (SATA power and data, Serial)

Ordering Information	
Part Number	Description
MITX-440	Single-core Intel Atom based Mini-ITX board with standard I/O
MITX-440-DVI-2E	Dual-core Intel Atom based Mini-ITX with standard and optional I/O
MITX-440-Kit	Dual-core Intel Atom based Mini-ITX with standard and optional I/O and 2GB RAM

SOLUTION SERVICES

Emerson Network Power provides a portfolio of solution services optimized to meet your needs throughout the product lifecycle. Design services help speed time-to-market. Deployment services include global 24x7 technical support. Renewal services enable product longevity and technology refresh.

Intel and Atom are trademarks of Intel Corporation or its subsidiaries in the United States and other countries. Microsoft, Windows and Vista are trademarks of Microsoft Corporation. All other product or service names are the property of their respective owners.

This document identifies products, their specifications, and their characteristics, which may be suitable for certain applications. It does not constitute an offer to sell or a commitment of present or future availability, and should not be relied upon to state the terms and conditions, including warranties and disclaimers thereof, on which Emerson Network Power may sell products. A prospective buyer should exercise its own independent judgment to confirm the suitability of the products for particular applications. Emerson Network Power reserves the right to make changes, without notice, to any products or information herein which will, in its sole discretion, improve reliability, function, or design. Emerson Network Power does not assume any liability arising out of the application or use of any product or circuit described herein; neither does it convey any license under its patent or other intellectual property rights or under others. This disclaimer extends to any prospective buyer, and it includes Emerson Network Power's licensee, licensee's transferees, and licensee's customers and users. Availability of some of the products and services described herein may be restricted in some locations.

Emerson Network Power.
The global leader in enabling
Business-Critical Continuity™.

AC Power

Connectivity

DC Power

Embedded Computing

Embedded Power

Infrastructure Management & Monitoring

Outside Plant

Power Switching & Controls

Precision Cooling

Racks & Integrated Cabinets

Services

Surge Protection

Emerson Network Power

Offices: Tempe, AZ U.S.A. 1 800 759 1107 or +1 602 438 5720

Paris, France +33 1 60 92 31 20 • Munich, Germany +49 89 9608 2333 • Tel Aviv, Israel +972 9 9560361

Hong Kong +852 2176 3540 • Shanghai, China +86 21 3395 0289 • Tokyo, Japan +81 3 5403 2730 • Seoul, Korea +82 2 3483 1500

EmersonNetworkPower.com/EmbeddedComputing

Emerson, Business-Critical Continuity and Emerson Network Power are trademarks of Emerson Electric Co. or one of its affiliated companies. ©2010 Emerson Electric Co.

MITX440-D4 08/10