

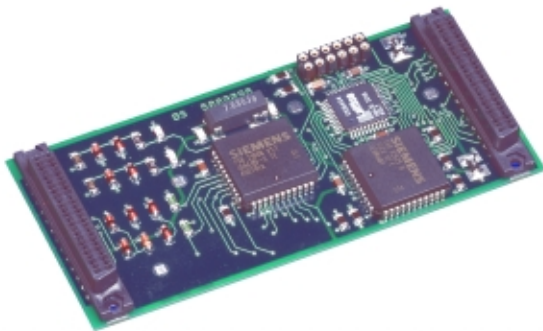
S0-IP

Basic Rate Interface IP-module

General Overview

The ikon S0-IP is a single-wide IndustryPack® module providing an ISDN S₀-interface.

It may be used in conjunction with IndustryPack® carrier for embedded, VME, VXI, AT or Nubus.



The Basic Rate interface supports 2 B-Channels with a transfer-rate of 64 kBit/s each and a 16 kBit/s D-Channel (signalling).

Key Features

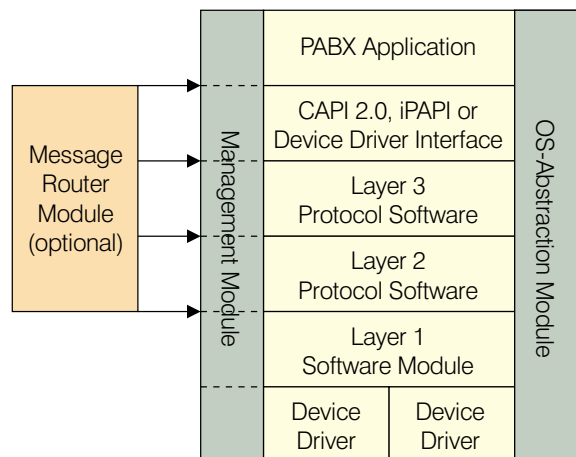
- Basic Rate Interface IP-Module
- Single-wide IndustryPack® module
- Transition module for Connection to switch or PBX
- DSS-1, 1TR6 or QSIG (D-Channel Protocol)
- 2 B-channels per Module at full bandwidth
- Channel aggregation
- Universal Application Programming Interface CAPI V2.0 for OS-9, pSOS+ and VxWorks

Software

The ISDN-Software is designed to run on the host-processor under various operating systems. ikon supports different hardware platforms and is also able to port the ISDN-Software to user-specific hardware.

ISDN-Software

- D-Channel protocol DSS-1 (Euro-ISDN), 1TR6 or QSIG.
- B-Channel protocols on layer 2: X.75, HDLC transparent and clean B-Channel.
- B-Channel protocols on layer 3: transparent



- Point-to-Point and Point-to-Multipoint configuration
- Support of hard-wired connections.
- CAPI V2.0 for programming of own applications
- Support of the protocols TCP/IP and X.25.

S0-IP

Hardware

Single-wide IndustryPack®

- Lattice IP-Interface chip
- Siemens ISAC-S TE
- HDLC Controller Siemens HSCX
- Access Mode:
 - Byte in memory space
 - Byte in ID space
 - Vectored interrupt
- Wait States depend on access type.
- Interrupt
 - IP Interrupt Request on Levels 0 & 1
 - Independent base vector registers provided
- Power requirements +5 VDC, 250mA typical
- Environment. Operating: 0 to 70° C
- 2 full duplex B-Channels (64 kBit/s each)
- ISDN S/T Interface Option
- 32 Byte transmit and receive buffer per Channel
- Compatible with ITU-T I.430
- Transition Module with direct interface to standard ISDN cable via transformers (100 ohms line impedance)

Applications

- File Transfer
- Remote Login
- Voice Support
- Fax-Server
- Modem-Server
- LAN-to-LAN Connection
- WAN-to-WAN Connection

Order information

- S0-IP for Motorola MVME162 for OS VxWorks 99675
- S0-IP for Microsys IP-360 for OS VxWorks 99676

