

IC-4LS-PMCa Quad Serial ports PMC module

IC-4LS-PMCa

Four high performance:

- asynchronous ports (UART)

Each independent UART :

- 16C550 Compatible
- 64-byte transmit FIFO
- 64-byte receive FIFO
- programmable TX and RX FIFO trigger level.
- automatic RTS/CTS flow control.
- automatic RS485 HDX control.
- programmable data rate with prescalar.
- up to 3 Mbps serial data rate in differential mode.

Multi-mode transceivers :

- software selectable mode via the GPIO of Quad UART.
- interface Modes : S232(V28), RS422, X21, V11, EAI530A.
- receiver termination network
- high differential transmission rates

The four channels are available on a front HD68 connector or on the rear Pn IO.

PCI interface :

- 32-bit 33MHz PCI bus 2.3 target signalling compliance
- universal PCI bus buffers -auto-sense 3.3V or 5V operation.
- global interrupt source register for all 4 UARTs.
- data transfer in Byte, Word or Double-word.

High reliability due to a ultra low-power design and a high CMOS chip integration.



Description

IC-4LS-PMCa integrates the functions of four enhanced UARTs with a PCI bus interface. UARTs have the improved fifth generation register set with 16C550 compatibility.

Each UART of the **IC-4LS-PMCa** provides 64-byte FIFO, automatic RTS/CTS or DTR/DSR hardware flow control with hysteresis, automatic Xon/Xoff and special character software flow control, programmable transmit and receive FIFO trigger level, FIFO level counters, independent programmable baud rate with a x1 or x4 prescalar. Each channel has its own 16550 UART compatible set of registers for an individual control.

The electrical mode of the transceivers is selectable by software via a register .

IC-4LS-PMCa supports 32-bit wide read and write data transfer operation including data burst mode through the PCI bus. Read and write data operations may be in byte, word or Double-word format.

Drivers for many RTOS or Linux are available for this communication board.

IC-4LS-PMCa are available in standard and extended temperature grade.

An octopus cable converts the HD68 connector (SCSI model) in four standard SUBD25 connectors with a 1 meter cable length.

An eight channel-version of this board is also available (IC-8LS-PMCa).

IC-4LS-PMCa

Quad Serial ports PMC module

Standard Conformance

Emissions

EN55022 Class A

Immunity

CEI 50082-1 (EN61000-4-2, -3, -4, -5, -6, -11)

Security

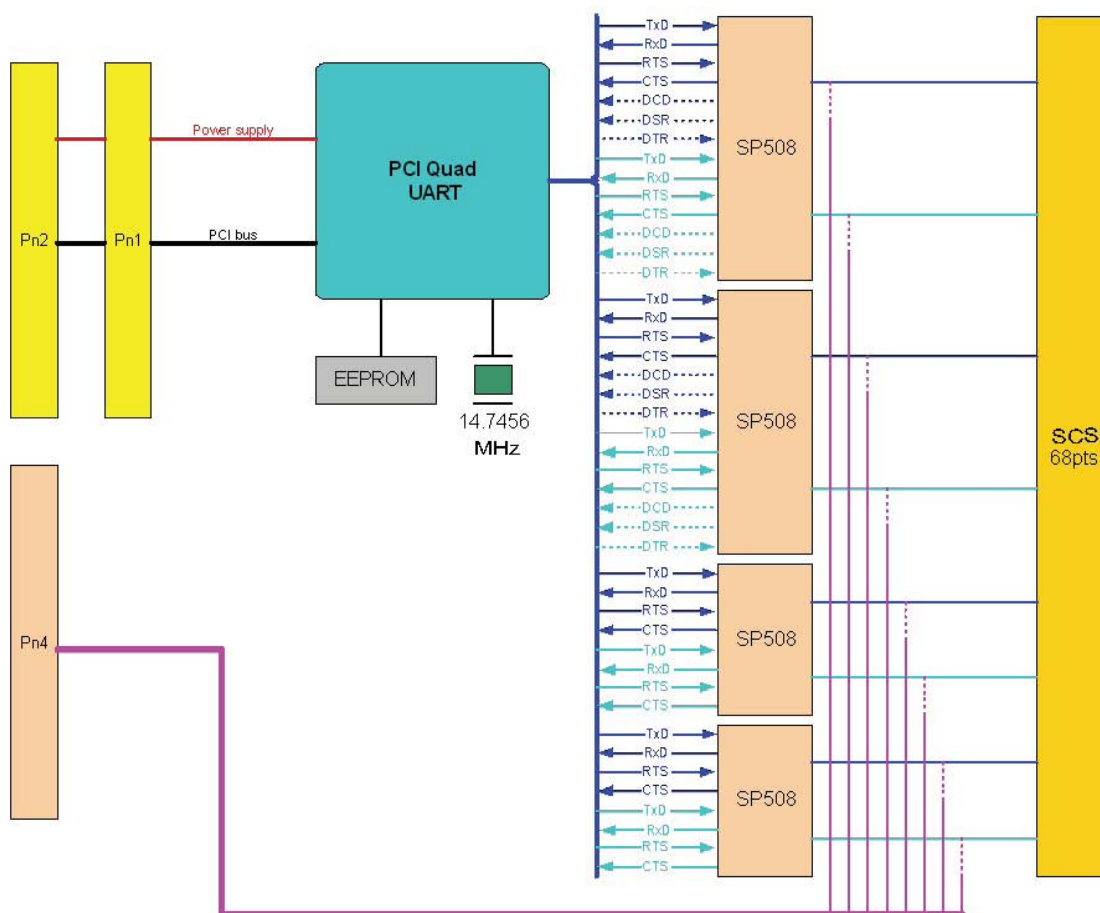
EN60950

Environmental Standard grade

Refer to the IC-4LS-PMCa datasheet on our website (www.interfaceconcept.com) for environmental standard grade details.

Note that some IC-4LS-PMCa models support temperatures from -40°C to 85°C.

Block Diagram



Environnement Specifications:

Please consult the **IC-4LS-PMCa** page at www.interfaceconcept.com.

Ordering Information:

Please contact our sales department : tel. **+33 (0)2 98 573 030** - email : info@interfaceconcept.com

This document supersedes any earlier documentation relating to the products referred to herein. The information contained in this document is current at the date of publication. It may subsequently be updated or withdrawn without notice.

