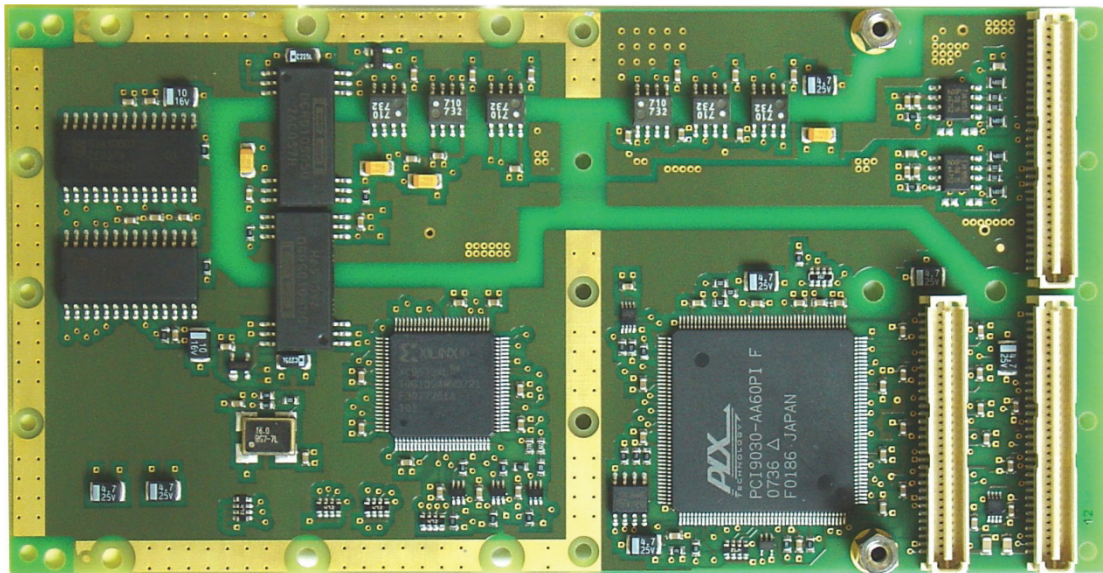


TPMC310 Conduction Cooled PMC , Isolated 2 x CAN Bus



Application Information

The TPMC310 is a conduction cooled single-width 32 bit PMC module providing two channel of high speed CAN bus interface.

The PLX PCI9030 PCI Target Chip is used for the PCI interface.

Two Philips SJA1000 CAN controllers (CAN specification 2.0B supported) are used for the two CAN bus channels.

The CAN bus I/O interface provides two independent channels, isolated from system logic and from each other.

CAN High Speed transceivers are used for the CAN bus I/O interface. An on board termination option (solder pads) is provided for each CAN bus channel allowing to configure on board termination and pass through mode for the CAN bus.

The TPMC310 uses the P14 I/O connector for the CAN bus I/O interface.

Software support (TDRV010-SW-xx) for different operating systems is available.

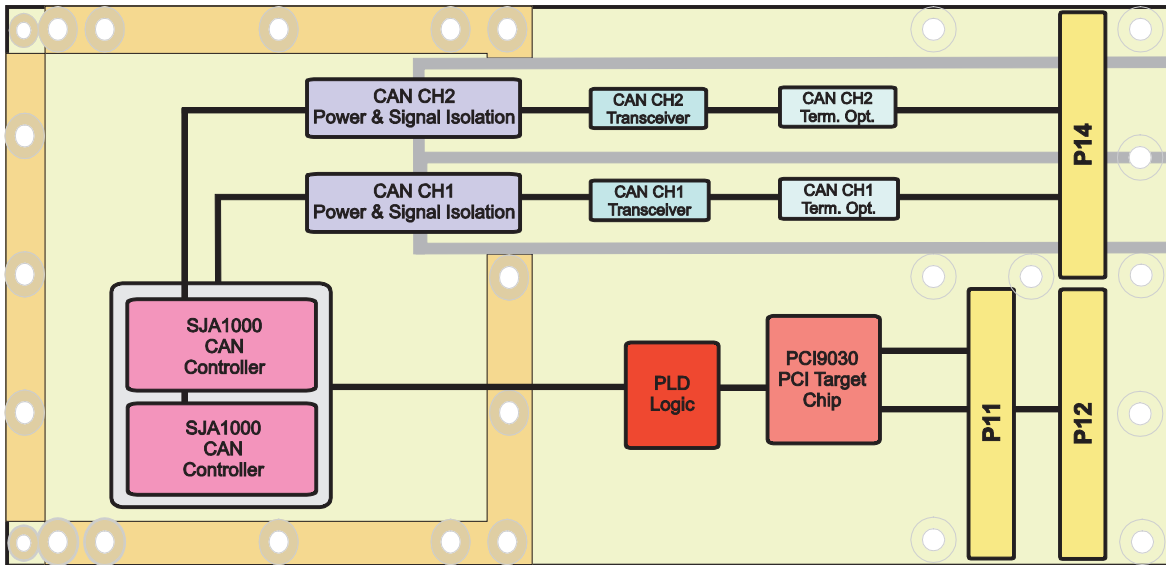
Technical Information

- Conduction Cooled single-width 32 bit PMC module conforming to IEEE P1386.1
- PCI 2.1 compliant interface
- 3.3V and 5V PCI Signaling Voltage
- Board size: 144 mm x 74 mm
- CAN Bus Interface
 - Two channel High Speed CAN interface
 - Two Philips SJA1000 CAN controller
 - Supports CAN specification 2.0B
- I/O interface based on TJA1050 transceiver, channels isolated from system logic and from each other
- On board termination option for each CAN bus channel
- Operating temperature range -40°C to +85°C

powerBridge
Computer

Ehlbeek 15a
30938 Burgwedel
fon 05139-9980-0
fax 05139-9980-49

www.powerbridge.de
info@powerbridge.de



Order Information

RoHS Compliant

TPMC310-10R ccPMC, 2 x isolated CAN Bus based on Philips SJA1000, ISO11898 CAN High Speed, P14 I/O

For the availability of non-RoHS compliant (lead solder) products please contact TEWS.

Documentation

TPMC310-DOC User Manual

Software

TDRV010-SW-25 Integrity Software Support

TDRV010-SW-42 VxWorks Software Support (Legacy and VxBus-Enabled Software Support)

TDRV010-SW-65 Windows Software Support

TDRV010-SW-82 Linux Software Support

TDRV010-SW-95 QNX Software Support

For other operating systems please contact TEWS.

Related Products

TPIM001 PIM I/O Module, HD50 connector