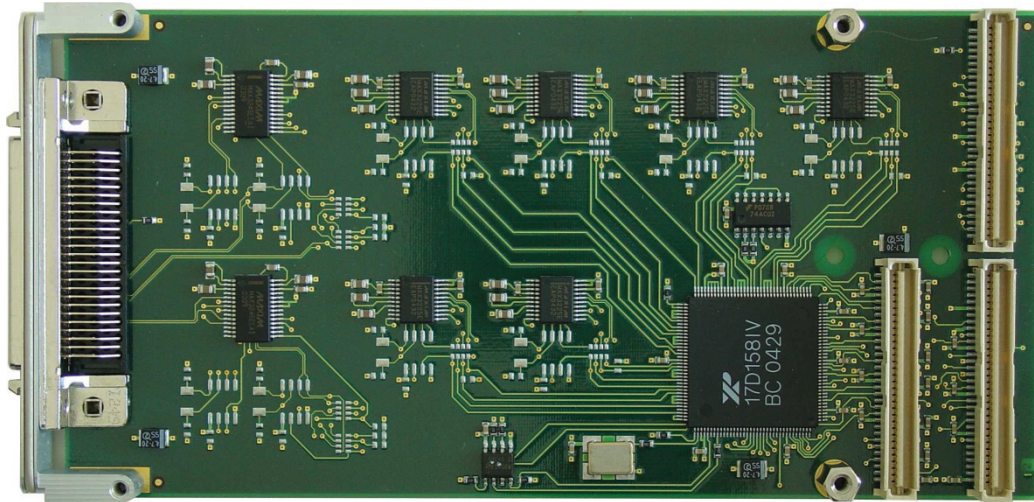


TPMC461 8 Channel Serial Interface RS232/RS422



TPMC461-10R

Application Information

The TPMC461 is a standard single-width 32 bit PMC module and offers 8 channels of high performance asynchronous serial interface.

Three different standard modules are available: The TPMC461-10R provides 8 RS232 interfaces. The TPMC461-11R provides 8 RS422 interfaces. The TPMC461-12R provides 4 RS232 and 4 RS422 interfaces.

Other configurations are available as factory build option on a per channel base.

All modules offer front panel I/O with a HD50 SCSI-2 type connector and P14 I/O. Each RS232 channel supports RxD, TxD, RTS, CTS and GND. Each RS422 channel supports RxD+/-, TxD+/- and GND. Two channels of the TPMC461-10R/-12R offer full modem support (TxD, RxD, CTS, RTS, DSR, DTR, CD, RI and GND) for RS232. Two channels of the TPMC461-11R support RxD+/-, TxD+/-, RTS+/-, CTS+/- and GND for RS422.

Each channel has 64 byte transmit and receive FIFOs to significantly reduce the overhead required to provide data to and get data from the transmitters and receivers. The FIFO trigger levels are programmable and the baud rate is individually programmable up to 921.6 kbps for RS232 channels and 5.5296 Mbps for RS422 channels. The UART offers readable FIFO levels.

All channels generate interrupts on PCI interrupt INTA. For fast interrupt source detection the UART provides a special Global Interrupt Source Register.

All serial channels use ESD protected transceivers. ESD protection is up to ± 15 KV.

The TPMC461 can operate with 3.3V and 5.0V PCI I/O signaling voltage.

Software Support (TDRV002-SW-xx) for different operating systems is available.



Ehlbeek 15a
30938 Burgwedel
fon 05139-9980-0
fax 05139-9980-49

www.powerbridge.de
info@powerbridge.de

TEWS TECHNOLOGIES GmbH keeps the right to change technical specification without further notice.
All trademarks mentioned are property of their respective owners.

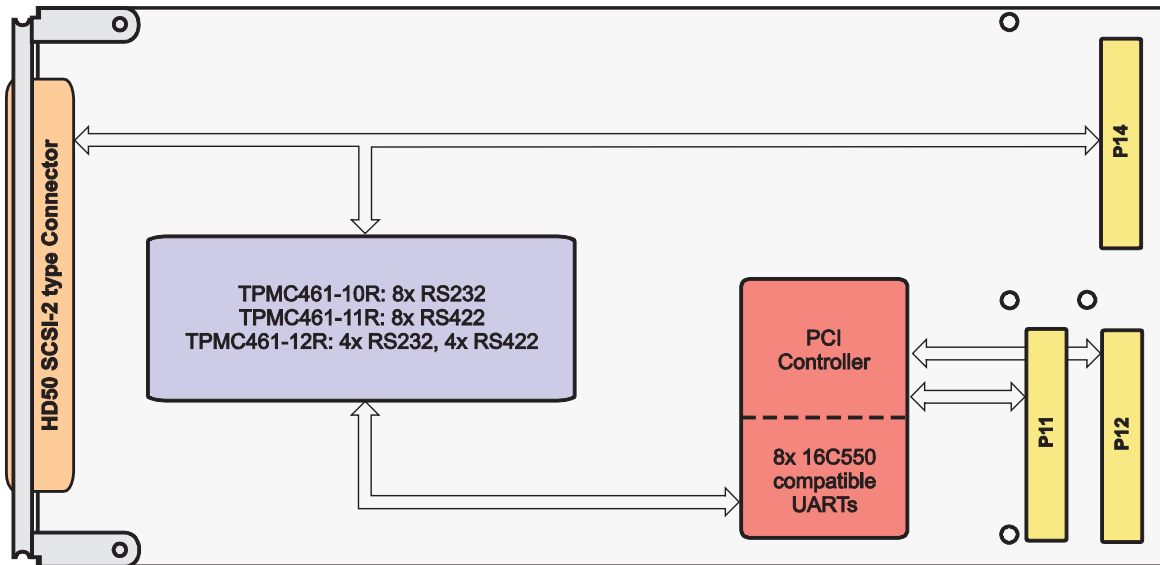
Issue 1.0.1
2017-08-31

TEWS TECHNOLOGIES GmbH

Am Bahnhof 7 25469 Halstenbek, Germany
Phone: +49 (0) 4101 4058 0 Fax: +49 (0) 4101 4058 19
e-mail: info@tews.com www.tews.com

Technical Information

- Standard single-width 32 bit PMC module conforming to IEEE P1386.1
 - Target Chip: XR17D158 (Exar)
 - PCI 2.3 compliant interface
 - PCI I/O signaling voltage 5V and 3.3V
- Board size: 149 mm x 74 mm
- Asynchronous serial interface
- Octal UART: Exar XR17D158
- Support of RxD, TxD, RTS, CTS and GND for each RS232 channel; RxD+/-, TxD+/- and GND for each RS422 channel. Two channels offer extended support (full modem or RTS+/- and CTS+/-)
- Programmable baud rates:
 - RS232: up to 921.6 kbps
 - RS422: up to 5.5296 Mbps
- 64 byte transmit FIFO per channel
- 64 byte receive FIFO per channel
- Readable FIFO levels
- Global Interrupt Source Register
- General Purpose 16 bit Timer/Counter
- ESD protected transceiver (up to ± 15KV)
- Operating temperature -40° to +85°



Order Information

RoHS Compliant

TPMC461-10R 8 Channel Serial RS232, HD50
TPMC461-11R 8 Channel Serial RS422, HD50
TPMC461-12R 4 Channel Serial RS232, 4 Channel Serial RS422, HD50

Other configurations are available as factory option on a per channel base.

For the availability of non-RoHS compliant (lead solder) products please contact TEWS.

Documentation

TPMC461-DOC User Manual

Software

TDRV002-SW-25 Integrity Software Support
TDRV002-SW-42 VxWorks Software Support (Legacy and VxBus-Enabled Software Support)
TDRV002-SW-65 Windows Software Support
TDRV002-SW-82 Linux Software Support
TDRV002-SW-95 QNX Software Support

For other operating systems please contact TEWS.

Related Products

TA301 Cable Kit for Modules with HD50 Connector
TPIM001 PIM I/O Module, HD50 connector