

The Embedded I/O Company



TPMC461

8 Channel Serial Interface RS232/RS422

Version 1.0

User Manual

Issue 1.0.6

August 2014

powerBridge
Computer 

Ehlbeek 15a
30938 Burgwedel
fon 05139-9980-0
fax 05139-9980-49

www.powerbridge.de
info@powerbridge.de

TEWS TECHNOLOGIES GmbH

Am Bahnhof 7

25469 Halstenbek, Germany www.tews.com

Phone: +49-(0)4101-4058-0

Fax: +49-(0)4101-4058-19

e-mail: info@tews.com

TPMC461-10R

8 Channel Serial RS232 (2x full modem), front panel and P14 I/O

TPMC461-11R

8 Channel Serial RS422 (2x plus RTS+/-, CTS+/-), front panel and P14 I/O

TPMC461-12R

4 Channel Serial RS232 (2x full modem), 4 Channel Serial RS422, front panel and P14 I/O

This document contains information, which is proprietary to TEWS TECHNOLOGIES GmbH. Any reproduction without written permission is forbidden.

TEWS TECHNOLOGIES GmbH has made any effort to ensure that this manual is accurate and complete. However TEWS TECHNOLOGIES GmbH reserves the right to change the product described in this document at any time without notice.

TEWS TECHNOLOGIES GmbH is not liable for any damage arising out of the application or use of the device described herein.

Style Conventions

Hexadecimal characters are specified with prefix 0x, i.e. 0x029E (that means hexadecimal value 029E).

For signals on hardware products, an 'Active Low' is represented by the signal name with # following, i.e. IP_RESET#.

Access terms are described as:

W	Write Only
R	Read Only
R/W	Read/Write
R/C	Read/Clear
R/S	Read/Set

©2014 by TEWS TECHNOLOGIES GmbH

Issue	Description	Date
1.0	First Issue	October 2004
1.1	Expanded Configuration EEPROM data	November 2004
1.2	Configuration EEPROM data & Pinout clarification	September 2005
1.3	Channel numbering clarification	August 2006
1.4	New address TEWS LLC	September 2006
1.0.5	New notation for HW Engineering Documentation Releases	February 2009
1.0.6	General Revision	August 2014

Table of Contents

1	PRODUCT DESCRIPTION	6
2	TECHNICAL SPECIFICATION	7
3	LOCAL SPACE ADDRESSING	9
	3.1 XR17D158 Local Space Configuration	9
	3.2 Device Configuration Space	9
	3.2.1 UART Register Sets.....	10
	3.2.2 Device Configuration Registers	11
	3.2.3 UART Channel Configuration Registers	12
4	XR17D158 TARGET CHIP	14
	4.1 PCI Configuration Registers (PCR)	14
	4.2 Configuration EEPROM	15
5	CONFIGURATION HINTS	17
6	PROGRAMMING HINTS	18
	6.1 UART Baud Rate Programming	18
	6.2 RS422 Flow Control	19
7	PIN ASSIGNMENT – I/O CONNECTOR	20
	7.1 Front Panel I/O Connector	21
	7.1.1 TPMC461-10R	21
	7.1.2 TPMC461-11R.....	22
	7.1.3 TPMC461-12R	23
	7.2 Back I/O PMC Connector (P14)	24
	7.2.1 TPMC461-10R	24
	7.2.2 TPMC461-11R.....	25
	7.2.3 TPMC461-12R	26

List of Figures

FIGURE 1-1 : BLOCK DIAGRAM.....	6
---------------------------------	---

List of Tables

TABLE 2-1 : TECHNICAL SPECIFICATION.....	8
TABLE 3-1 : XR17D158 LOCAL SPACE CONFIGURATION.....	9
TABLE 3-2 : DEVICE CONFIGURATION SPACE.....	9
TABLE 3-3 : UART REGISTER SET OFFSET.....	10
TABLE 3-4 : UART REGISTER SET.....	10
TABLE 3-5 : DEVICE CONFIGURATION REGISTERS.....	11
TABLE 3-6 : UART CHANNEL CONFIGURATION REGISTERS.....	12
TABLE 4-1 : PCI HEADER.....	14
TABLE 4-2 : CONFIGURATION EEPROM TPMC461-XXR.....	15
TABLE 4-3 : PHYSICAL CONFIGURATION EEPROM DATA.....	16
TABLE 5-1 : UART INTERFACE MAPPING.....	17
TABLE 6-1 : UART BAUD RATE PROGRAMMING.....	18
TABLE 7-1 : TPMC461-10R PIN ASSIGNMENT FRONT PANEL I/O CONNECTOR.....	21
TABLE 7-2 : TPMC461-11R PIN ASSIGNMENT FRONT PANEL I/O CONNECTOR.....	22
TABLE 7-3 : TPMC461-12R PIN ASSIGNMENT FRONT PANEL I/O CONNECTOR.....	23
TABLE 7-4 : TPMC461-10R PIN ASSIGNMENT BACK I/O PMC CONNECTOR (P14).....	24
TABLE 7-5 : TPMC461-11R PIN ASSIGNMENT BACK I/O PMC CONNECTOR (P14).....	25
TABLE 7-6 : TPMC461-12R PIN ASSIGNMENT BACK I/O PMC CONNECTOR (P14).....	26

1 Product Description

The TPMC461 is a standard single-width 32 bit PMC module and offers 8 channels of high performance serial interface.

Three different standard modules are available: The TPMC461-10R provides 8 RS232 interfaces. The TPMC461-11R provides 8 RS422 interfaces. The TPMC461-12R provides 4 RS232 and 4 RS422 interfaces.

Other configurations are available as factory build option on a per channel base.

All modules offer front panel I/O with a HD50 SCSI-2 type connector and P14 I/O. Each RS232 channel supports RxD, TxD, RTS, CTS and GND. Each RS422 channel supports RxD+/-, TxD+/- and GND. Two channels of the TPMC461-10R/-12R offer full modem support (TxD, RxD, CTS, RTS, DSR, DTR, CD, RI and GND) for RS232. Two channels of the TPMC461-11R support RxD+/-, TxD+/-, RTS+/-, CTS+/- and GND for RS422.

Each channel has 64 byte transmit and receive FIFOs to significantly reduce the overhead required to provide data to and get data from the transmitters and receivers. The FIFO trigger levels are programmable and the baud rate is individually programmable up to 921.6 kbps for RS232 channels and 5.5296 Mbps for RS422 channels. The UART offers readable FIFO levels.

All channels generate interrupts on PCI interrupt INTA. For fast interrupt source detection the UART provides a special Global Interrupt Source Register.

All serial channels use ESD protected transceivers. ESD protection is up to $\pm 15\text{KV}$.

The TPMC461 can operate with 3.3V and 5.0V PCI I/O signaling voltage.

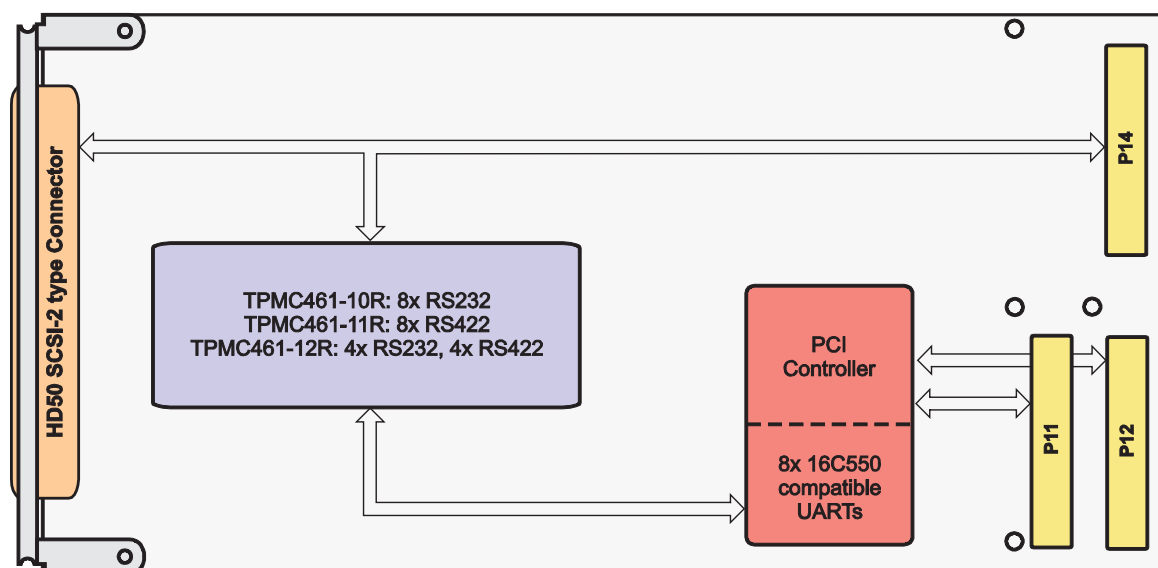


Figure 1-1 : Block Diagram

2 Technical Specification

PMC Interface	
Mechanical Interface	PCI Mezzanine Card (PMC) Interface Single Size
Electrical Interface	PCI Rev. 2.3 compliant 33 MHz / 32 bit PCI 3.3V and 5V PCI Signaling Voltage
On Board Devices	
PCI Target Chip	XR17D158 (Exar)
Octal UART	XR17D158 (Exar)
Transceiver	RS232: MAX3225E (or equivalent) RS232 Full Modem: MAX3245E (or equivalent) RS422: MAX3087E (or equivalent)
I/O Interface	
Interface Type	Asynchronous serial interface
Number of Channels	8
Physical Interface	TPMC461-10R: 8 RS232 (2 Full Modem) TPMC461-11R: 8 RS422 (2 with RTS & CTS) TPMC461-12R: 4 RS232 (2 Full Modem), 4 RS422
Serial Channel I/O Signals	RS232: TxD, RxD, RTS, CTS, GND RS232 Full Modem: TxD, RxD, RTS, CTS, DTR, DSR, CD, RI, GND RS422: TxD+/-, RxD+/-, GND (TPMC461-11R: RTS+/-, CTS+/-)
Termination	RS422: 120Ω between RxD+ and RxD- of each channel (TPMC461-11R: also between CTS+, CTS-)
Programmable Baud Rates	RS232: up to 921.6 kbps RS422: up to 5.5296 Mbps
ESD Protection	RS232: ±15kV—Human Body Model ±8kV—IEC 1000-4-2, Contact Discharge ±15kV—IEC 1000-4-2, Air-Gap Discharge RS422: ±15kV—Human Body Model
I/O Connector	HD50 SCSI-2 type connector (e.g. AMP# 787395-5) PMC P14 I/O (64 pin Mezzanine Connector)
Physical Data	
Power Requirements	TPMC461-10R: 50 mA typical @ +5V DC (no load) TPMC461-11R: 70 mA typical @ +5V DC (no load) TPMC461-12R: 60 mA typical @ +5V DC (no load)
Temperature Range	Operating -40°C to +85°C Storage -55°C to +125°C

MTBF	TPMC461-10R: 730 000 h TPMC461-11R: 570 000 h TPMC461-12R: 660 000 h MTBF values shown are based on calculation according to MIL-HDBK-217F and MIL-HDBK-217F Notice 2; Environment: G _B 20°C. The MTBF calculation is based on component FIT rates provided by the component suppliers. If FIT rates are not available, MIL-HDBK-217F and MIL-HDBK-217F Notice 2 formulas are used for FIT rate calculation.
Humidity	5 – 95 % non-condensing
Weight	67 g

Table 2-1 : Technical Specification

3 Local Space Addressing

3.1 XR17D158 Local Space Configuration

The local on board addressable regions are accessed from the PCI side by using the XR17D158 local space.

XR17D158 PCI Base Address (Offset in PCI Configuration Space)	PCI Space Mapping	Size (Byte)	Port Width (Bit)	Endian Mode	Description
0 (0x10)	MEM	4096	32	BIG	Device Configuration Space

Table 3-1 : XR17D158 Local Space Configuration

3.2 Device Configuration Space

PCI Base Address: XR17D158 PCI Base Address 0 (Offset 0x10 in PCI Configuration Space).

The TPMC461 uses the Exar XR17D158 Octal UART to provide and control the 8 channels.

Device Configuration Space Content	PCI Address	Size (Bit)
UART 0 Register Set	PCI Base Address 0 + (0x0000 to 0x007F)	32
Device Configuration Registers	PCI Base Address 0 + (0x0080 to 0x009F)	32
UART 0 Register Set	PCI Base Address 0 + (0x0100 to 0x01FF)	32
UART 1 Register Set	PCI Base Address 0 + (0x0200 to 0x03FF)	32
UART 2 Register Set	PCI Base Address 0 + (0x0400 to 0x05FF)	32
UART 3 Register Set	PCI Base Address 0 + (0x0600 to 0x07FF)	32
UART 4 Register Set	PCI Base Address 0 + (0x0800 to 0x09FF)	32
UART 5 Register Set	PCI Base Address 0 + (0x0A00 to 0x0BFF)	32
UART 6 Register Set	PCI Base Address 0 + (0x0C00 to 0x0DFF)	32
UART 7 Register Set	PCI Base Address 0 + (0x0E00 to 0x0FFF)	32

Table 3-2 : Device Configuration Space

All registers can be accessed in 8, 16 or 32 bit width with exception to one special case: When reading the receive data together with its LSR register content, the host must read them in 16 or 32 bits format in order to maintain integrity of the data byte with its associated error flags.

3.2.1 UART Register Sets

The Device Configuration Space provides a register set for each of the 8 UARTs.

UART Register Set	Register Set Offset
Serial Channel 0	0x0000
Serial Channel 1	0x0200
Serial Channel 2	0x0400
Serial Channel 3	0x0600
Serial Channel 4	0x0800
Serial Channel 5	0x0A00
Serial Channel 6	0x0C00
Serial Channel 7	0x0E00

Table 3-3 : UART Register Set Offset

Offset Address	Description	Access	Data Width
0x000 – 0x00F	UART Channel Configuration Registers First 8 registers are 16550 compatible	R/W	8, 16, 32
0x010 – 0x07F	Reserved	-	-
0x080 – 0x093	Channel 0: Device Configuration Registers All other channels: Reserved	R/W	8, 16, 32
0x094 – 0x0FF	Reserved	-	-
0x100	Read FIFO – 64 bytes of RX FIFO data	R	8, 16, 32
	Write FIFO – 64 bytes of TX FIFO data	W	8, 16, 32
0x140 – 0x17F	Reserved	-	-
0x180 – 0x1FF	Read FIFO with errors – 64 bytes of RX FIFO data + LSR	R	16, 32

Table 3-4 : UART Register Set

3.2.2 Device Configuration Registers

The Device Configuration Registers control general operating conditions and monitor the status of various functions. This includes a 16 bit general purpose counter, multipurpose input/outputs (not supported by the TPMC461), sleep mode, soft-reset and device identification, and revision. They are embedded inside the UART 0 Register Set.

Address	Register	Description	Access	Reset Value
0x080	INT0 [7:0]	Channel Interrupt Indicator	R	0x00
0x081	INT1 [15:8]	Interrupt Source Details	R	0x00
0x082	INT2 [23:16]		R	0x00
0x083	INT3 [31:24]		R	0x00
0x084	TIMERCNTL	Timer Control Register	R/W	0x00
0x085	TIMER	Reserved	-	0x00
0x086	TIMERLSB	Programmable Timer Value	R/W	0x00
0x087	TIMERMSB		R/W	0x00
0x088	8XMODE	Sampling Rate Select	R/W	0x00
0x089	REGA	Reserved	-	0x00
0x08A	RESET	UART Reset	W	0x00
0x08B	SLEEP	UART Sleep Mode Enable	R/W	0x00
0x08C	DREV	Device Revision	R	0x01
0x08D	DVID	Device Identification	R	0x28
0x08E	REGB	Simultaneous UART Write & EEPROM Interface	W	0x00
0x08F	MPOINT	MPIO Interrupt Mask	R/W	0x00
0x090	MPIOLVL	MPIO Level Control	R/W	0x00
0x091	MPIO3T	MPIO Output Pin Tri-state Control	R/W	0x00
0x092	MPIOINV	MPIO Input Polarity Select	R/W	0x00
0x093	MPIOSEL	MPIO Input/Output Select	R/W	0xFF

Table 3-5 : Device Configuration Registers

For a detailed description of the Device Configuration Registers please refer to the XR17D158 data sheet which is available on the Exar website (www.exar.com).

3.2.3 UART Channel Configuration Registers

Each UART channel has its own set of internal UART configuration registers for its own operation control and status reporting. The following table provides the register offsets within a register set, access types and access control:

Register Offset	Comment	Register	Access	Reset Value
16550 Compatible				
0x00	LCR[7] = 0	RHR – Receive Holding Register	R	0xXX
		THR – Transmit Holding Register	W	
	LCR[7] = 1	DLL – Baud Rate Generator Divisor Latch Low	R/W	0xXX
0x01	LCR[7] = 0	IER – Interrupt Enable Register	R/W	0x00
		LCR[7] = 1	DLM – Baud Rate Generator Divisor Latch High	R/W
0x02		ISR – Interrupt Status Register	R	0x01
		FCR – FIFO Control Register	W	0x00
0x03		LCR – Line Control Register	R/W	0x00
0x04		MCR – Modem Control Register	R/W	0x00
0x05		LSR – Line Status Register	R	0x60
		Reserved	W	
0x06		MSR – Modem Status Register	R	0xX0
		– Auto RS485 Delay (not supported by the TPMC461)	W	
0x07	User Data	SPR – Scratch Pad Register	R/W	0xFF
Enhanced Registers				
0x08		FCTR – Feature Control Register	R/W	0x00
0x09		EFR – Enhanced Function Register	R/W	0x00
0x0A		TXCNT – Transmit FIFO Level Counter	R	0x00
		TXTRG – Transmit FIFO Trigger Level	W	
0x0B		RXCNT – Receiver FIFO Level Counter	R	0x00
		RXTRG – Receiver FIFO Trigger Level	W	
0x0C		Xchar – Xon, Xoff Received Flags	R	0x00
		Xoff-1 – Xoff Character 1	W	
0x0D		Reserved	R	0x00
		Xoff-2 – Xoff Character 2	W	
0x0E		Reserved	R	0x00
		Xon-1 – Xon Character 1	W	
0x0F		Reserved	R	0x00
		Xon-2 – Xon Character 2	W	

Table 3-6 : UART Channel Configuration Registers

The address for a UART Channel Configuration Register *x* in a UART Register Set for channel *y* is:

PCI Base Address 0 (PCI Base Address for the UART Register Space)

+ UART Register Set Offset for *channel y*

+ Register Offset for *register x*

Addressing example:

The address for the LCR register of UART channel 5 is:

PCI Base Address (PCI Base Address for the Device Configuration Space)

+ 0x0A00 (Offset of the UART register set for serial channel 5)

+ 0x0003 (Offset of the LCR register within a UART register set)

For a detailed description of the serial channel registers please refer to the XR17D158 data sheet which is available on the Exar website (www.exar.com).

4 XR17D158 Target Chip

4.1 PCI Configuration Registers (PCR)

PCI CFG Register Address	Write '0' to all unused (Reserved) bits							PCI writeable	Initial Values (Hex Values)	
	31	24	23	16	15	8	7			0
0x00	Device ID				Vendor ID				N	01CD 1498
0x04	Status				Command				Y	0080 0000
0x08	Class Code					Revision ID			N	070002 ??
0x0C	BIST	Header Type		PCI Latency Timer		Cache Line Size		N	00 00 00 00	
0x10	Memory Base Address Register (BAR)							Y	FFFFFF00	
0x14	I/O Base Address Register (Unimplemented)							N	00000000	
0x18	Base Address Register 0 (Unimplemented)							N	00000000	
0x1C	Base Address Register 1 (Unimplemented)							N	00000000	
0x20	Base Address Register 2 (Unimplemented)							N	00000000	
0x24	Base Address Register 3 (Unimplemented)							N	00000000	
0x28	Reserved							N	00000000	
0x2C	Subsystem ID			Subsystem Vendor ID				N	s.b. 1498	
0x30	Expansion ROM Base Address (Unimplemented)							N	00000000	
0x34	Reserved							N	00000000	
0x38	Reserved							N	00000000	
0x3C	Max_Lat	Min_Gnt	Interrupt Pin		Interrupt Line			Y[7:0]	00 00 01 00	

Table 4-1 : PCI Header

Device-ID: 0x01CD TPMC461
 Vendor-ID: 0x1498 TEWS TECHNOLOGIES
 Revision ID: XR17D158 silicon revision
 Subsystem-ID: 0x000A -10R
 0x000B -11R
 0x000C -12R
 Subsystem Vendor-ID: 0x1498 TEWS TECHNOLOGIES

4.2 Configuration EEPROM

After power-on or PCI reset, the XR17D158 loads initial configuration register data from the on board configuration EEPROM.

The configuration EEPROM contains the following configuration data:

- Vendor ID
- Vendor Device ID
- SubSystem Vendor ID
- SubSystem Device ID

See the XR17D158 Manual for more information.

Address	Configuration Register	Configuration Register Offset	Value
0x00	Vendor ID	0x02	0x1498
0x01	Device ID	0x00	0x01CD
0x02	Subsystem Vendor ID	0x2E	0x1498
0x03	Subsystem ID	0x2C	s.b.

Table 4-2 : Configuration EEPROM TPMC461-xxR

Subsystem-ID Value (Offset 0x0C): TPMC461-10R 0x000A
 TPMC461-11R 0x000B
 TPMC461-12R 0x000C

The words following the configuration data contain:

- The module version and revision
- The UART clock frequency in Hz
- The physical interface attached to the serial channels
- The maximal baud rate of the transceivers in bps
- The supported control signals of the serial channels

For the physical interfaces and the control signals applies: Bit 7 represents UART channel 7 and bit 0 represents UART channel 0. The appropriate bit is set to '1' for each UART channel attached to the physical interface represented by the word. Bit 15 to bit 8 is always '0'.

Address	Configuration Register	TPMC461-10R	TPMC461-11R	TPMC461-12R
0x04	Module Version	0x0100	0x0100	0x0100
0x05	Module Revision	0x0000	0x0000	0x0000
0x06	EEPROM Revision	0x0002	0x0002	0x0002
0x07	Oscillator Frequency (high)	0x02A3	0x02A3	0x02A3
0x08	Oscillator Frequency (low)	0x0000	0x0000	0x0000
0x09-0x0F	Reserved	-	-	-
0x10	RS232 Channels	0x00FF	0x0000	0x000F
0x11	RS422 Channels	0x0000	0x00FF	0x00F0
0x12	TTL Channels	0x0000	0x0000	0x0000
0x13	RS485 Full Duplex Channels	0x0000	0x0000	0x0000
0x14	RS485 Half Duplex Channels	0x0000	0x0000	0x0000
0x15-0x1E	Reserved	-	-	-
0x1F	Programmable Interfaces	0x0000	0x0000	0x0000
0x20	Max Data Rate RS232 (high)	0x000F	0x000F	0x000F
0x21	Max Data Rate RS232 (low)	0x4240	0x4240	0x4240
0x22	Max Data Rate RS422 (high)	0x0098	0x0098	0x0098
0x23	Max Data Rate RS422 (low)	0x9680	0x9680	0x9680
0x24	Max Data Rate TTL (high)	0x0098	0x0098	0x0098
0x25	Max Data Rate TTL (low)	0x9680	0x9680	0x9680
0x26	Max Data Rate RS485 Full Duplex (high)	0x0000	0x0000	0x0000
0x27	Max Data Rate RS485 Full Duplex (low)	0x0000	0x0000	0x0000
0x28	Max Data Rate RS485 Half Duplex (high)	0x0000	0x0000	0x0000
0x29	Max Data Rate RS485 Half Duplex (low)	0x0000	0x0000	0x0000
0x2A-0x2F	Reserved	-	-	-
0x30	RxD & TxD	0x00FF	0x00FF	0x00FF
0x31	RTS & CTS	0x00FF	0x0003	0x000F
0x32	Full modem	0x0003	0x0000	0x0003
0x33-0x37	Reserved	-	-	-
0x38	Enhanced RTS & CTS (Front or Back I/O only)	0x0000	0x0000	0x0000
0x39	Enhanced Full modem (Front or Back I/O only)	0x0000	0x0000	0x0000
0x3A	Channels with enhanced RTS & CTS Support for RS232 only	0x0000	0x0000	0x0000
0x3B-0x3F	Reserved	-	-	-

Table 4-3 : Physical Configuration EEPROM Data

5 Configuration Hints

The following chart shows the UART interface mapping of the different variants of the TPMC461.

	TPMC461-10R		TPMC461-11R		TPMC461-12R	
	RS232	RS422	RS232	RS422	RS232	RS422
UART0	X			X	X	
UART1	X			X	X	
UART2	X			X	X	
UART3	X			X	X	
UART4	X			X		X
UART5	X			X		X
UART6	X			X		X
UART7	X			X		X

Table 5-1 : UART interface mapping

Other configurations are available as factory build option on a per channel base.

RS422 channels provide on board 120Ω termination resistors. Do not apply additional external termination resistors here.

6 Programming Hints

6.1 UART Baud Rate Programming

Each of the 8 UART channels of the TPMC461 provides a programmable Baud Rate Generator. The clock of the XR17D158 UART can be divided by any divisor from 1 to $2^{16} - 1$. The divisor can be programmed by the UART channel DLM (Divisor MSB) and DLL (Divisor LSB) registers. After a reset bit 7 of the UART channels MCR register defaults to '0' and the divisor value is 0xFFFF.

The basic formula of baud rate programming is:

$$\text{Baud Rate} = \frac{44.2368\text{MHz}}{16 \cdot \text{Divisor} \cdot (1 + 3 \cdot \text{MCR}[7])}$$

Examples for standard baud rates are given in following chart:

Baud Rate MCR[7] = 0	Baud Rate MCR[7] = 1	Divisor	DLM Value	DLL Value
400	100	0x1B00	0x1B	0x00
600	150	0x1200	0x12	0x00
1200	300	0x0900	0x09	0x00
2400	600	0x0480	0x04	0x80
4800	1200	0x0240	0x02	0x40
9600	2400	0x0120	0x01	0x20
19.2k	4800	0x0090	0x00	0x90
38.4k	9600	0x0048	0x00	0x48
57.6k	14.4k	0x0030	0x00	0x30
115.2k	28.8k	0x0018	0x00	0x18
230.4k	57.6k	0x000C	0x00	0x0C
460.8k	115.2k	0x0006	0x00	0x06
921.6k	230.4k	0x0003	0x00	0x03
1.3824M	345.6k	0x0002	0x00	0x02
2.7648M	691.2k	0x0001	0x00	0x01

Table 6-1 : UART Baud Rate Programming

To calculate a divisor value for a given baud rate, use following formula:

$$\text{Divisor} = \frac{44.2368\text{MHz}}{16 \cdot \text{Baud Rate} \cdot (1 + 3 \cdot \text{MCR}[7])}$$

The sampling rate for a UART channel can be set to 8x (normal operation is 16x) in the 8XMODE register. Transmit and receive data rates will double by selecting 8x sample rate.

The maximum achievable baud rate is 5.5296 Mbps (Divisor = 0x0001 & 8x sampling rate).

These steps should be used to modify the DLM, DLL registers of an UART channel:

1. Write 0x80 to the LCR register of the UART channel (enable access to the DLM, DLL registers).
2. Program the DLM, DLL registers of the UART channel.
3. Write normal operation byte value to the LCR register of the UART channel.

These steps should be used to modify MCR register bit 7 of an UART channel (set baud rate generator prescaler):

1. Set UART channel EFR register bit 4 to '1' (enable modification of MCR register bits 5-7).
2. Modify UART channel MCR register bit 7.
3. Set UART channel EFR register bit 4 to '0' (latch modified MCR register setting).

Note that the maximum baud rate for RS232 channel is 921.6 kps. Thus the minimum divisor value for RS232 channels is 0x0003 with MCR[7] = 0.

6.2 RS422 Flow Control

Only UART channels 0 & 1 allow using RS422 with RTS/CTS flow control. On channels 2 – 7 the CTS# input is hardwired to '1', so that no RTS/CTS flow control is possible.

7 Pin Assignment – I/O Connector

Connect channel I/O either to front I/O or P14 back I/O at a time. Do not connect an I/O channel to both front I/O connector and P14 back I/O connector at the same time.

RS422 channels provide on board 120Ω termination resistors. Do not apply additional external termination resistors here.

Please note that on the TPMC461 the P14 back I/O connector is always populated and connected to on board logic. Do not use these modules on carrier boards where P14/J14 is reserved for other system signals but PMC I/O. In this case ask support for special board options with front I/O only.

7.1 Front Panel I/O Connector

The TPMC461 front panel I/O connector is a HD50 SCSI-2 type female connector (e.g. AMP# 787395-5).

7.1.1 TPMC461-10R

Pin	Signal	Signal Level
1	GND	-
2	TxD0	RS232
3	RxD0	RS232
4	RTS0	RS232
5	CTS0	RS232
6	GND	-
7	TxD1	RS232
8	RxD1	RS232
9	RTS1	RS232
10	CTS1	RS232
11	GND	-
12	TxD2	RS232
13	RxD2	RS232
14	RTS2	RS232
15	CTS2	RS232
16	GND	-
17	TxD3	RS232
18	RxD3	RS232
19	RTS3	RS232
20	CTS3	RS232
21	GND	-
22	TxD4	RS232
23	RxD4	RS232
24	RTS4	RS232
25	CTS4	RS232
26	GND	-
27	TxD5	RS232
28	RxD5	RS232
29	RTS5	RS232
30	CTS5	RS232
31	GND	-
32	TxD6	RS232
33	RxD6	RS232
34	RTS6	RS232
35	CTS6	RS232
36	GND	-
37	TxD7	RS232
38	RxD7	RS232
39	RTS7	RS232
40	CTS7	RS232
41	GND	-
42	+5V Termination Supply (unfused!)	
43	CD0	RS232
44	DTR0	RS232
45	RI0	RS232
46	DSR0	RS232
47	CD1	RS232
48	DTR1	RS232
49	RI1	RS232
50	DSR1	RS232

Table 7-1 : TPMC461-10R Pin Assignment Front Panel I/O Connector

7.1.2 TPMC461-11R

Pin	Signal	Signal Level	Pin	Signal	Signal Level
1	GND	-	26	GND	-
2	TxD0-	RS422	27	TxD5-	RS422
3	TxD0+	RS422	28	TxD5+	RS422
4	RxD0-	RS422	29	RxD5-	RS422
5	RxD0+	RS422	30	RxD5+	RS422
6	GND	-	31	GND	-
7	TxD1-	RS422	32	TxD6-	RS422
8	TxD1+	RS422	33	TxD6+	RS422
9	RxD1-	RS422	34	RxD6-	RS422
10	RxD1+	RS422	35	RxD6+	RS422
11	GND	-	36	GND	-
12	TxD2-	RS422	37	TxD7-	RS422
13	TxD2+	RS422	38	TxD7+	RS422
14	RxD2-	RS422	39	RxD7-	RS422
15	RxD2+	RS422	40	RxD7+	RS422
16	GND	-	41	GND	-
17	TxD3-	RS422	42	+5V Termination Supply (unfused!)	
18	TxD3+	RS422	43	RTS0-	RS422
19	RxD3-	RS422	44	RTS0+	RS422
20	RxD3+	RS422	45	CTS0-	RS422
21	GND	-	46	CTS0+	RS422
22	TxD4-	RS422	47	RTS1-	RS422
23	TxD4+	RS422	48	RTS1+	RS422
24	RxD4-	RS422	49	CTS1-	RS422
25	RxD4+	RS422	50	CTS1+	RS422

Table 7-2 : TPMC461-11R Pin Assignment Front Panel I/O Connector

7.1.3 TPMC461-12R

Pin	Signal	Signal Level	Pin	Signal	Signal Level
1	GND	-	26	GND	-
2	TxD0	RS232	27	TxD5-	RS422
3	RxD0	RS232	28	TxD5+	RS422
4	RTS0	RS232	29	RxD5-	RS422
5	CTS0	RS232	30	RxD5+	RS422
6	GND	-	31	GND	-
7	TxD1	RS232	32	TxD6-	RS422
8	RxD1	RS232	33	TxD6+	RS422
9	RTS1	RS232	34	RxD6-	RS422
10	CTS1	RS232	35	RxD6+	RS422
11	GND	-	36	GND	-
12	TxD2	RS232	37	TxD7-	RS422
13	RxD2	RS232	38	TxD7+	RS422
14	RTS2	RS232	39	RxD7-	RS422
15	CTS2	RS232	40	RxD7+	RS422
16	GND	-	41	GND	-
17	TxD3	RS232	42	+5V Termination Supply (unfused!)	
18	RxD3	RS232	43	CD0	RS232
19	RTS3	RS232	44	DTR0	RS232
20	CTS3	RS232	45	RI0	RS232
21	GND	-	46	DSR0	RS232
22	TxD4-	RS422	47	CD1	RS232
23	TxD4+	RS422	48	DTR1	RS232
24	RxD4-	RS422	49	RI1	RS232
25	RxD4+	RS422	50	DSR1	RS232

Table 7-3 : TPMC461-12R Pin Assignment Front Panel I/O Connector

7.2 Back I/O PMC Connector (P14)

7.2.1 TPMC461-10R

Pin	Signal	Signal Level	Pin	Signal	Signal Level
1	GND	-	33	RxD6	RS232
2	TxD0	RS232	34	RTS6	RS232
3	RxD0	RS232	35	CTS6	RS232
4	RTS0	RS232	36	GND	-
5	CTS0	RS232	37	TxD7	RS232
6	GND	-	38	RxD7	RS232
7	TxD1	RS232	39	RTS7	RS232
8	RxD1	RS232	40	CTS7	RS232
9	RTS1	RS232	41	GND	-
10	CTS1	RS232	42	+5V Termination Supply (unfused!)	
11	GND	-	43	CD0	RS232
12	TxD2	RS232	44	DTR0	RS232
13	RxD2	RS232	45	RI0	RS232
14	RTS2	RS232	46	DSR0	RS232
15	CTS2	RS232	47	CD1	RS232
16	GND	-	48	DTR1	RS232
17	TxD3	RS232	49	RI1	RS232
18	RxD3	RS232	50	DSR1	RS232
19	RTS3	RS232	51	-	-
20	CTS3	RS232	52	-	-
21	GND	-	53	-	-
22	TxD4	RS232	54	-	-
23	RxD4	RS232	55	-	-
24	RTS4	RS232	56	-	-
25	CTS4	RS232	57	-	-
26	GND	-	58	-	-
27	TxD5	RS232	59	-	-
28	RxD5	RS232	60	-	-
29	RTS5	RS232	61	-	-
30	CTS5	RS232	62	-	-
31	GND	-	63	-	-
32	TxD6	RS232	64	-	-

Table 7-4 : TPMC461-10R Pin Assignment Back I/O PMC Connector (P14)

7.2.2 TPMC461-11R

Pin	Signal	Signal Level	Pin	Signal	Signal Level
1	GND	-	33	TxD6+	RS422
2	TxD0-	RS422	34	RxD6-	RS422
3	TxD0+	RS422	35	RxD6+	RS422
4	RxD0-	RS422	36	GND	-
5	RxD0+	RS422	37	TxD7-	RS422
6	GND	-	38	TxD7+	RS422
7	TxD1-	RS422	39	RxD7-	RS422
8	TxD1+	RS422	40	RxD7+	RS422
9	RxD1-	RS422	41	GND	-
10	RxD1+	RS422	42	+5V Termination Supply (unfused!)	
11	GND	-	43	RTS0-	RS422
12	TxD2-	RS422	44	RTS0+	RS422
13	TxD2+	RS422	45	CTS0-	RS422
14	RxD2-	RS422	46	CTS0+	RS422
15	RxD2+	RS422	47	RTS1-	RS422
16	GND	-	48	RTS1+	RS422
17	TxD3-	RS422	49	CTS1-	RS422
18	TxD3+	RS422	50	CTS1+	RS422
19	RxD3-	RS422	51	-	-
20	RxD3+	RS422	52	-	-
21	GND	-	53	-	-
22	TxD4-	RS422	54	-	-
23	TxD4+	RS422	55	-	-
24	RxD4-	RS422	56	-	-
25	RxD4+	RS422	57	-	-
26	GND	-	58	-	-
27	TxD5-	RS422	59	-	-
28	TxD5+	RS422	60	-	-
29	RxD5-	RS422	61	-	-
30	RxD5+	RS422	62	-	-
31	GND	-	63	-	-
32	TxD6-	RS422	64	-	-

Table 7-5 : TPMC461-11R Pin Assignment Back I/O PMC Connector (P14)

7.2.3 TPMC461-12R

Pin	Signal	Signal Level	Pin	Signal	Signal Level
1	GND	-	33	TxD6+	RS422
2	TxD0	RS232	34	RxD6-	RS422
3	RxD0	RS232	35	RxD6+	RS422
4	RTS0	RS232	36	GND	-
5	CTS0	RS232	37	TxD7-	RS422
6	GND	-	38	TxD7+	RS422
7	TxD1	RS232	39	RxD7-	RS422
8	RxD1	RS232	40	RxD7+	RS422
9	RTS1	RS232	41	GND	-
10	CTS1	RS232	42	+5V Termination Supply (unfused!)	
11	GND	-	43	CD0	RS232
12	TxD2	RS232	44	DTR0	RS232
13	RxD2	RS232	45	RI0	RS232
14	RTS2	RS232	46	DSR0	RS232
15	CTS2	RS232	47	CD1	RS232
16	GND	-	48	DTR1	RS232
17	TxD3	RS232	49	RI1	RS232
18	RxD3	RS232	50	DSR1	RS232
19	RTS3	RS232	51	-	-
20	CTS3	RS232	52	-	-
21	GND	-	53	-	-
22	TxD4-	RS422	54	-	-
23	TxD4+	RS422	55	-	-
24	RxD4-	RS422	56	-	-
25	RxD4+	RS422	57	-	-
26	GND	-	58	-	-
27	TxD5-	RS422	59	-	-
28	TxD5+	RS422	60	-	-
29	RxD5-	RS422	61	-	-
30	RxD5+	RS422	62	-	-
31	GND	-	63	-	-
32	TxD6-	RS422	64	-	-

Table 7-6 : TPMC461-12R Pin Assignment Back I/O PMC Connector (P14)