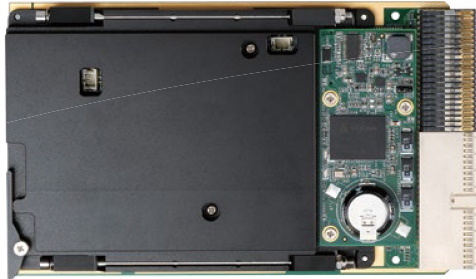


# CT-3510 Series

Rugged Conduction Cooled 3U CompactPCI/PlusIO Blade with 4th Generation Intel® Core™ i7/i5 Processor

**NEW**



## Features

- 4th generation Intel® Core™ i7/i5 processor
- Up to 8GB DDR3L-1600 ECC soldered memory
- Onboard 32GB NAND flash support
- 2x GbE, VGA, 3x USB, 3x SATA, 4x PCIe, COM to rear

**CompactPCI/PlusIO**

**CONDUCTION COOLED**

## Specifications

### Processor & System

CPU	μFC-BGA quad-core Intel® Core™ i7-4700EQ processor, up to 3.4GHz, 6MB L3 cache, 47/37W by cTDP μFC-BGA dual-core Intel® Core™ i5-4402E processor, up to 2.7GHz, 3M L3 cache, 25W
Chipset	Intel® QM87 PCH Chipset
RAM	Dual channel DDR3L-1600 SDRAM with ECC soldered, up to 8GB
BIOS	AMI EFI BIOS, 64Mb SPI flash memory
CompactPCI Bus	PCI 32-bit, 33/66MHz, 3.3V or 5V universal V(I/O)
PICMG standards	PICMG 2.0 CompactPCI R3.0 PICMG 2.1 Hot Swap R2.0 PICMG 2.30 CompactPCI PlusIO PICMG 2.9 System Management R1.0

### Connectivity

Ethernet	Two Intel® I210 GbE controllers for two rear ports
Graphics	Integrated in processor with DirectX 11.1 and OCL1.2 One VGA routed to rear
Serial Port	One serial port supports RS-232 TX/RX only
USB	Three USB 2.0 routed to rear
PCI-Express	Four PCIe x1 or one PCIe x4 by BIOS option

### Storage

SBC	One onboard 32GB NAND flash on daughter board
RTM	3x SATA 3Gb/s ports routed to RTM

### Operating System

OS	Microsoft Windows 7/8 32/64-bit Red Hat Enterprise Linux 6.4 Fedora 18 Wind River VxWorks 6.9 (Please contact ADLINK for other OS support)
----	--------------------------------------------------------------------------------------------------------------------------------------------------------

### Miscellaneous

LED	Power (Green), WDT (Amber), HDD (Blue), Thermal (Red), General Purpose (Yellow)
Battery	Gold Capacitor onboard for RTC CMOS RAM
Watchdog Timer	System Reset and NMI, with programmable interval, 1-65535 seconds or minutes
Hardware Monitor	Monitors CPU temperature, system temperature, Vcore and DC voltage
TPM	Atmel TPM AT97SC3204 optional support upon request

### Mechanical & Environmental

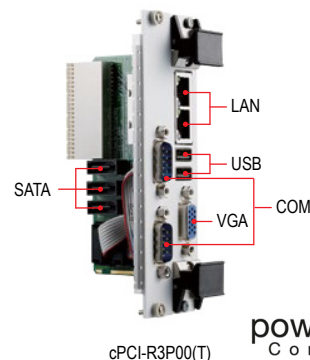
Form Factor	3U 4HP CompactPCI 100mm x 160mm (L x W)
Operating Temp.	-40°C to +70°C (Core™ i7-4700EQ CPU only) -40°C to +85°C (Core™ i5-4402E CPU)
Storage Temp.	-50°C to +100°C
Relative Humidity	95% non-condensing
Shock	40G half-sine, 11ms duration, non-operating
Vibration	5g (sine), 22 to 2000Hz, operating
Power Consumption	11.95A @4.78V, 2.23A @ 3.3V, total 64.50W
Weight	Net weight 465.35g with heatsink

### Safety & EMI

Certifications	CE/FCC
----------------	--------

## Ordering Information

Model Number	Description/Configuration
<b>Processor Blades</b>	
CT-3510/4700E/M4/S32	1-slot (4HP) rugged conduction cooled 3U Compact-PCI blade with Core™ i7-4700EQ up to 3.4 GHz, 4GB DDR3L-1600 ECC soldered memory, and onboard 32GB SSD
CT-3510/4402E/M4/S32	1-slot (4HP) rugged conduction cooled 3U CompactPCI blade with Core™ i5-4402E up to 2.7 GHz, 4GB DDR3L-1600 ECC soldered memory, and onboard 32GB SSD
<b>Rear Transition Modules</b>	
cPCI-R3P00	8HP Rear I/O module with 2 x GbE, 2 x COM, 2 x USB 2.0, 3 x SATA connectors, VGA, 50mm depth
cPCI-R3P00T	8HP Rear I/O module with 2 x GbE, 2 x COM, 2 x USB 2.0, 3 x SATA connectors, VGA, 80mm depth



**powerBridge**  
Computer

Ehlbeek 15a  
30938 Burgwedel  
fon 05139-9980-0  
fax 05139-9980-49  
www.powerbridge.de  
info@powerbridge.de