

MCS-2040

2U 4-node Media Cloud Server

Features

- Four hot-pluggable compute nodes
- Features (per node)
 - Two independent systems communicate via GbE
 - Dual sockets support Intel® Xeon® Processor E3-1275 v3 (LGA 1150)
 - 4 DIMMs, up to 32GB DDR3 memory (16GB/ system)
 - Quad GbE via RJ-45 (2 per system)
 - 4x hot-swappable 2.5" SATA drive bays
 - 2x 1600W redundant power supply
- ADLINK MediaManager



Applications

- IPTV, cable TV, cloud and mobile cloud service providers
- Video transcoding, unified communications, video surveillance and video analysis

Specifications

• CPU / Chipset /Memory (per node)

CPU

Dual Intel® Xeon® E3-1275 V3 Processors (LGA1150)

Chipset

Intel® Q87 Chipset

Memory

Four 240-pin DIMM sockets, DDR3-1600 up to 32 GB

• BIOS

Chip

AMI BIOS on SPI flash memory

Features

Intel® PXE pre-boot
Remote Console
ACPI 1.0/2.0 support
UEFI

• I/O Interfaces (per node)

Graphics

Intel® HD Graphics, VGA on rear panel (switchable between systems), up to 1920 x 1440 resolution

Ethernet

Quad 10/100/1000BASE-T Base Interface channels
Supports Intel® AMT, remote power on/off/reboot

Storage

Internal: • Two mSATA slots, support SSD modules up to 512GB
External: • 4x 2.5" SATA hot-swappable drive trays
USB: 2x USB 2.0 ports on rear panel (switchable between systems)

• Mechanical and Environmental

Form Factor: 2U rackmount system

Power Modules: 2x hot-swappable 1600W high-efficiency redundant power modules

Dimension: 438mm x 88mm x 733mm (W x H x D)

Fans: 3x fans per node with speed control (PWM)

Operating Temp.

0°C to +35°C

Storage Temp.: -40°C to +70°C

Humidity

5% to 95%, non-condensing

Certification: CCC, CB

RoHS: RoHS Compliant

• ARiP Software

Supported Software

Intel® Media SDK: GPU based video processing, supports both Linux and Windows

OpenCL SDK: provides customers with the ability to offload portions of their own codec/video filter implementations to the GPU

ADLINK MediaManager: supports file-to-stream, stream-to-stream, file-to-file and stream-to-file media processing

Compatible 3rd Party Software

Flexible Encoder Infrastructure (FEI) for Intel® Media SDK: designed for customers who need to fine tune or augment the h264 encode process
Open source H.265 encoder from f265.org

Ordering Information

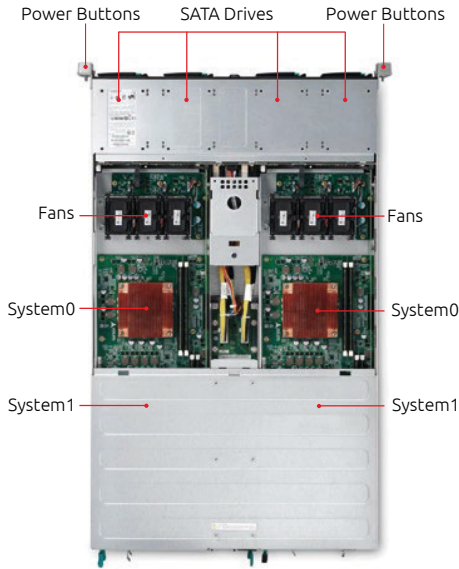
- **MCS-2040**
2U rackmount server with 16x 2.5" HDD bays, 4 compute nodes (2 systems per node)
- **MW-02007-2001**
MediaManager: Enhances Intel Media SDK to Provide End-to-End Functionality

powerBridge
Computer

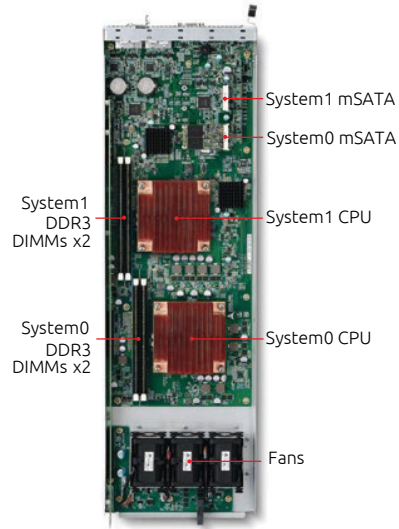
Ehlbeek 15a
30938 Burgwedel
fon 05139-9980-0
fax 05139-9980-49

www.powerbridge.de
info@powerbridge.de

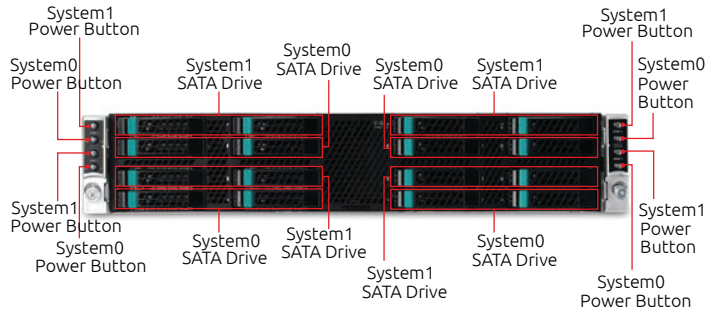
Mechanical Layout



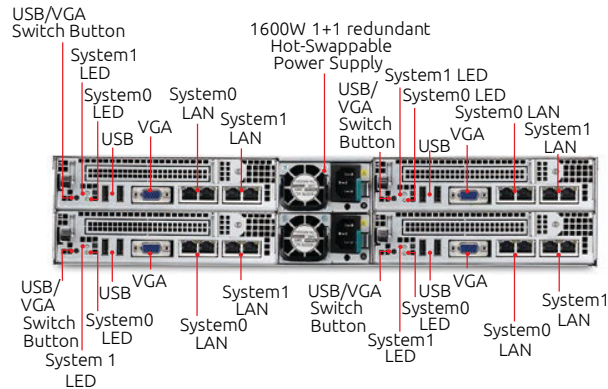
Top View Layout



Node Layout



Front View Layout



Rear View Layout