

The Embedded I/O Company

TEWS 
TECHNOLOGIES

TCP001-FP-10

Front panel extension for 3U cPCI boards

Version 1.0

User Manual

Issue 1.1

September 2006

D74001700

TEWS TECHNOLOGIES GmbH

Am Bahnhof 7
25469 Halstenbek, Germany
www.tews.com

Phone: +49-(0)4101-4058-0
Fax: +49-(0)4101-4058-19
e-mail: info@tews.com

TEWS TECHNOLOGIES LLC

9190 Double Diamond Parkway,
Suite 127, Reno, NV 89521, USA
www.tews.com

Phone: +1 (775) 850 5830
Fax: +1 (775) 201 0347
e-mail: usasales@tews.com

powerBridge
Computer 

Ehlbeek 15a
30938 Burgwedel
fon 05139-9980-0
fax 05139-9980-49
www.powerbridge.de
info@powerbridge.de

TCP001-FP-10**Front panel extension for 3U cPCI boards**

This document contains information, which is proprietary to TEWS TECHNOLOGIES GmbH. Any reproduction without written permission is forbidden.

TEWS TECHNOLOGIES GmbH has made any effort to ensure that this manual is accurate and complete. However TEWS TECHNOLOGIES GmbH reserves the right to change the product described in this document at any time without notice.

TEWS TECHNOLOGIES GmbH is not liable for any damage arising out of the application or use of the device described herein.

Style Conventions

Hexadecimal characters are specified with prefix 0x, i.e. 0x029E (that means hexadecimal value 029E).

For signals on hardware products, an ‚Active Low’ is represented by the signal name with # following, i.e. IP_RESET#.

Access terms are described as:

W	Write Only
R	Read Only
R/W	Read/Write
R/C	Read/Clear
R/S	Read/Set

©2005-2006 by TEWS TECHNOLOGIES GmbH

IndustryPack is a registered trademark of SBS Technologies, Inc

Issue	Description	Date
1.0	Initial Issue	February 2005
1.1	New address TEWS LLC	September 2006

Table of Contents

1	PRODUCT DESCRIPTION	5
2	INSTALLATION	5

Table of Contents

FIGURE 1-1 :	TCP001-FP-10 FRONT PANEL EXTENSION	5
FIGURE 2-1 :	MOUNTING THE TCP001-FP-10 ON A 3U COMPACTPCI BOARD	5
FIGURE 2-2:	REMOVING THE EMC SEAL FROM THE FRONT PANEL OF THE 3U COMPACTPCI BOARD	6
FIGURE 2-3 :	APPLYING THE 6U EMC SEAL TO THE EXTENDED FRONT PANEL.....	6

1 Product Description

The TCP001-FP-10 extends the front panel of all TEWS' 3U CompactPCI boards to a 6U front panel. This avoids shielding disruptions when using a 3U board in a 6U CompactPCI system.

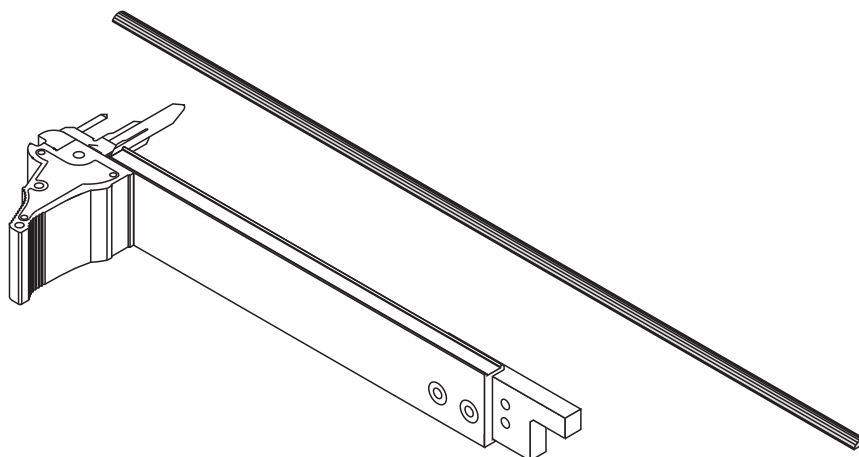


Figure 1-1 : TCP001-FP-10 Front Panel Extension

2 Installation

The TCP001-FP-10 is attached on the 3U CompactPCI board with the collar screw of the CompactPCI board:

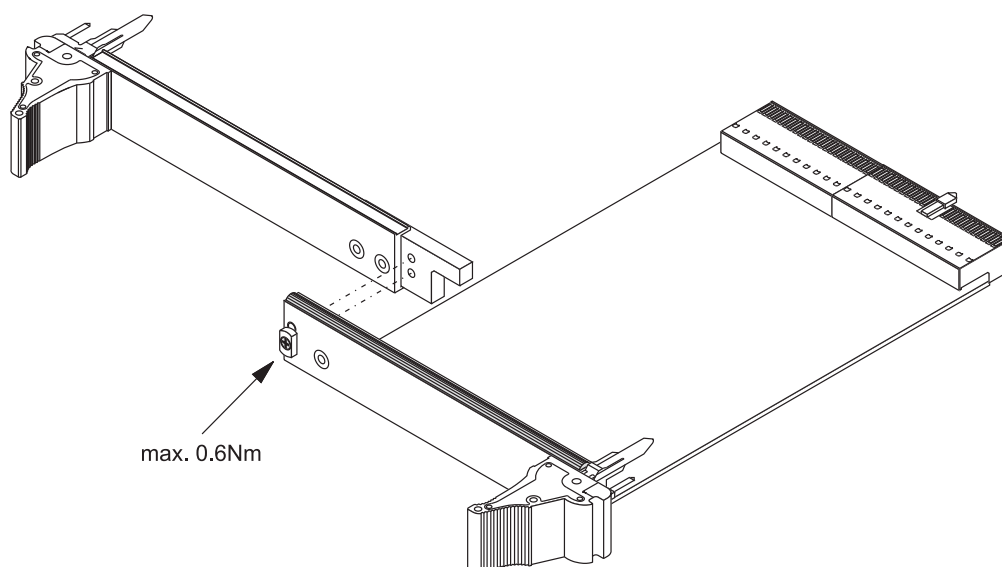


Figure 2-1 : Mounting the TCP001-FP-10 on a 3U CompactPCI board

For improved shielding, a separate 6U EMC seal is provided with each TCP001-FP-10. Remove the original EMC seal from the 3U front panel and apply the 6U EMC seal after mounting the TCP001-FP-10:

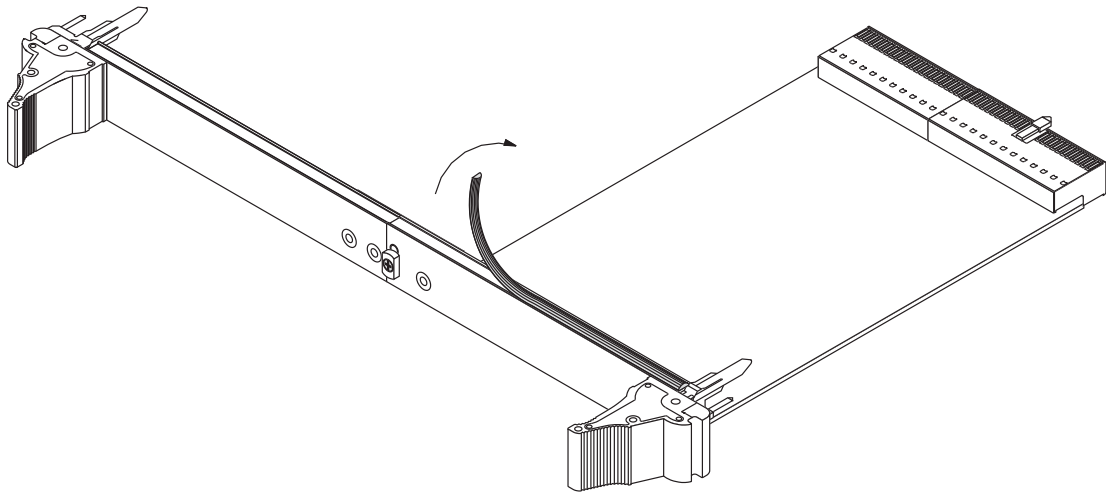


Figure 2-2 : Removing the EMC Seal from the Front Panel of the 3U CompactPCI board

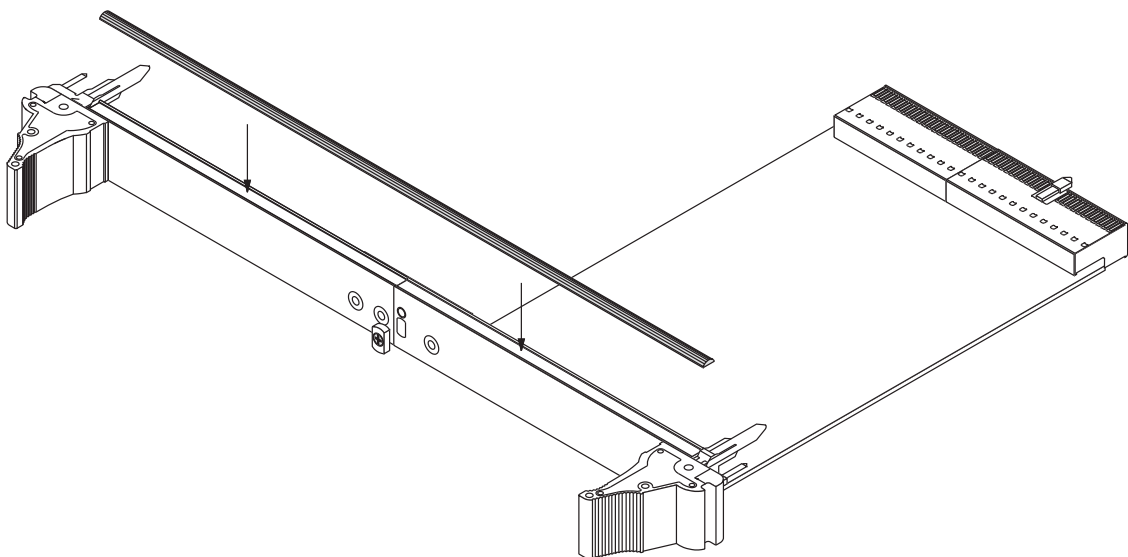


Figure 2-3 : Applying the 6U EMC Seal to the extended Front Panel