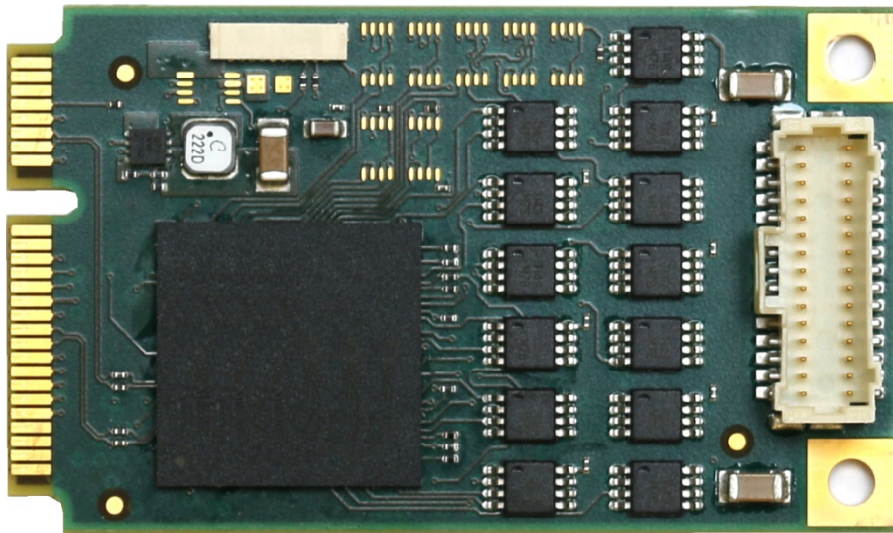


## TMPE633 Reconfigurable FPGA with Digital I/O PCIe Mini Card



TMPE633-12R

### Application Information

The TMPE633 is a standard full PCI Express Mini Card, providing a user programmable Xilinx Spartan-6 LX25T FPGA.

The TMPE633-10R provides 26 ESD-protected 5V-tolerant TTL lines, the TMPE633-11R provides 13 differential I/O lines using EIA 422 / EIA 485 compatible, ESD-protected line transceivers and the TMPE633-12R provides 13 differential I/O lines using Multipoint-LVDS Transceiver.

All I/O lines are individually programmable as input or output. TTL I/O lines can be set to high, low, or tristate. Each TTL I/O line has a pull-resistor to a common programmable pull voltage that can be set to +3.3 V, +5 V and GND. Differential I/O lines are terminated, RS-485 lines with 120  $\Omega$ , M-LVDS lines with 100  $\Omega$ .

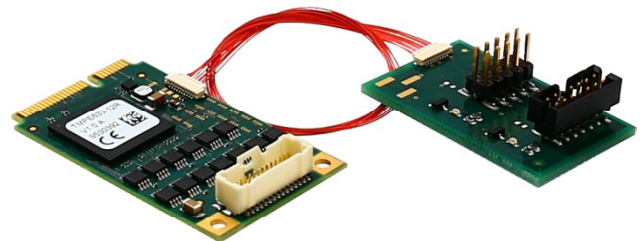
The I/O signals are accessible through a 30 pin Pico-Clasp latching connector.

The User FPGA is configured by a SPI flash. An in-circuit debugging option is available via a JTAG header for read back and real-time debugging of the FPGA design (using Xilinx "ChipScope"). For direct JTAG access to the FPGA using the Xilinx Platform Cable USB, the TA308 Programming Kit is required.

User applications for the TMPE633 with XC6SLX25T-2 FPGA can be developed using the design software ISE WebPACK which can be downloaded free of charge from [www.xilinx.com](http://www.xilinx.com).

TEWS offers a well-documented basic FPGA Example Application design. It includes an .ucf file with all necessary pin assignments and basic timing constraints. The example design covers the main functionalities of the TMPE633. It implements local Bus interface to local Bridge device, register mapping and basic I/O. It comes as a Xilinx ISE project with source code and as a ready-to-download bit stream.

Please note: The basic example design requires the Embedded Development Kit (EDK), which is part of the Embedded or System Edition of the ISE Design Suite from Xilinx (downloadable from [www.xilinx.com](http://www.xilinx.com), a 30 day evaluation license is available).



TA308 with TMPE633-12R

TEWS TECHNOLOGIES GmbH keeps the right to change technical specification without further notice. All trademarks mentioned are property of their respective owners.

### TEWS TECHNOLOGIES GmbH

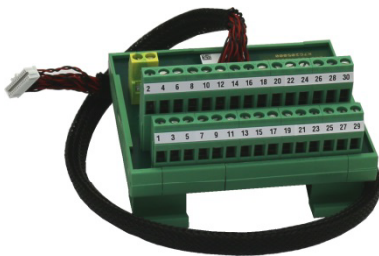
Am Bahnhof 7 25469 Halstenbek, Germany  
Phone: +49 (0) 4101 4058 0 Fax: +49 (0) 4101 4058 19  
e-mail: [info@tews.com](mailto:info@tews.com) [www.tews.com](http://www.tews.com)

powerBridge  
Computer

Ehlbeek 15a  
30938 Burgwedel  
fon 05139-9980-0  
fax 05139-9980-49  
[www.powerbridge.de](http://www.powerbridge.de)  
[info@powerbridge.de](mailto:info@powerbridge.de)



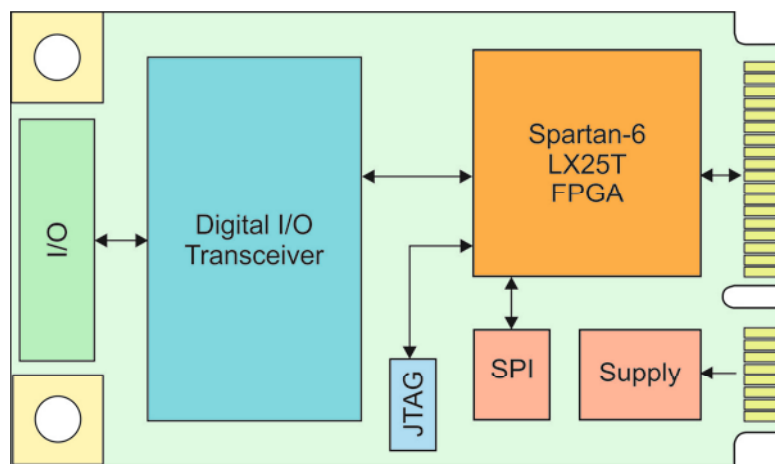
TA308 with TMPE633-12R & Platform Cable USB



TA309

### Technical Information

- Form Factor: Full-Mini Card
  - Board size: 50.95 mm x 30 mm
  - PCI Express 1.1 compliant interface
- Xilinx XC6SLX25T-2 Spartan-6 User programmable FPGA
  - PCIe endpoint in FPGA
- 64 Mbit SPI-EEPROM for FPGA configuration and User Data
- Digital I/O
  - 26 ESD-protected 5 V-tolerant TTL lines with programmable pull resistor (-10R)
  - 13 differential RS-485 lines (-11R)
  - 13 differential M-LVDS lines (-12R)
  - Direction individually programmable
- I/O access
  - 30 pin Pico-Clasp latching connector
- Operating temperature -40°C to +85°C
- MTBF (MIL-HDBK217F/FN2 GB 20°C)
  - TMPE633: 980.000 h



## Order Information

### RoHS Compliant

|                    |                                     |
|--------------------|-------------------------------------|
| <b>TMPE633-10R</b> | 26 TTL I/O, Spartan-6 LX25T FPGA    |
| <b>TMPE633-11R</b> | 13 RS-485 I/O, Spartan-6 LX25T FPGA |
| <b>TMPE633-12R</b> | 13 M-LVDS I/O, Spartan-6 LX25T FPGA |

For the availability of non-RoHS compliant (lead solder) products please contact TEWS.

### Documentation

|                    |             |
|--------------------|-------------|
| <b>TMPE633-DOC</b> | User Manual |
|--------------------|-------------|

### Software

|                      |  |
|----------------------|--|
| <b>TDRV020-SW-25</b> | Integrity Software Support   |
| <b>TDRV020-SW-42</b> | VxWorks Software Support (Legacy and VxBus-Enabled Software Support) |
| <b>TDRV020-SW-65</b> | Windows Software Support   |
| <b>TDRV020-SW-82</b> | Linux Software Support   |
| <b>TDRV020-SW-95</b> | QNX Software Support   |

For other operating systems please contact TEWS.

### Related Products

|              |   |
|--------------|---|
| <b>TA308</b> | Cable Kit for Modules with XRS JTAG Connector   |
| <b>TA309</b> | Cable Kit for Modules with Pico-Clasp Connector |