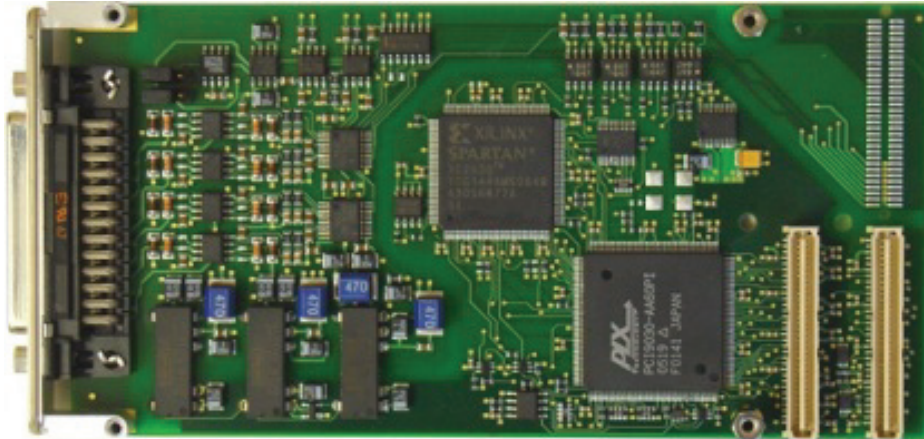


## TPMC550 8/4 Channels of Isolated 12-Bit D/A



### Application Information

The TPMC550 is a standard single-width 32 bit PMC module and provides 8 channels of isolated 12 bit analog outputs. 4 channel and rear-I/O order options are also available. The settling time to 0.012% is 10 $\mu$ s maximum.

The TPMC550 supports immediate and simultaneous load. The sequencer allows periodically update of enabled channels and the sequence timer range extends from 100 $\mu$ s to 6.5s.

The programmable output voltage range is +/-10V or 0-10V selectable by jumper. An on board DC/DC converter powers the isolated DAC and the output buffer.

Each TPMC550 is factory calibrated. The calibration information is stored in the Identification-PROM unique to each PMC module.

Software Support (TPMC550-SW-xx) is available for different operating systems.

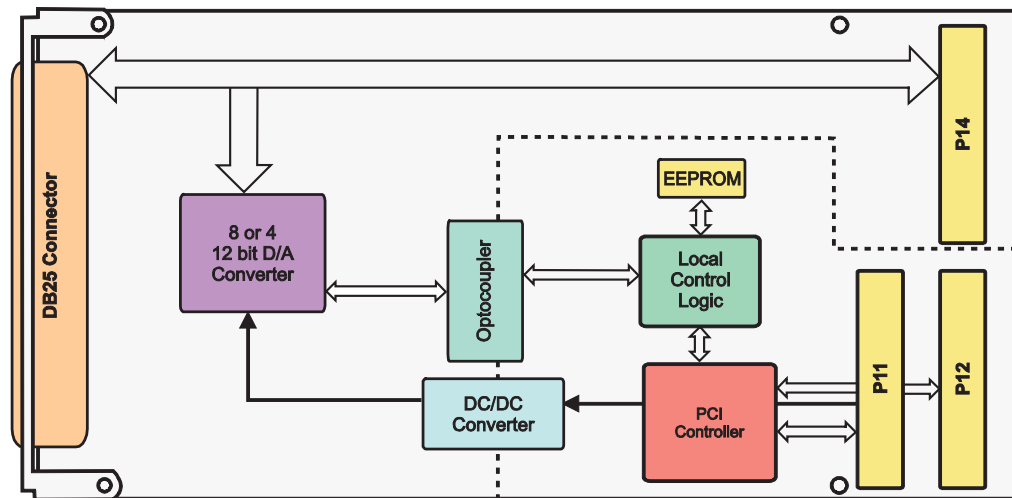
### Technical Information

- Standard single-width 32 bit PMC module conforming to IEEE P1386.1
- PCI 2.1 compliant interface
- 3.3V and 5V PCI Signaling Voltage
- Board size: 149 mm x 74 mm
- 8 or 4 channels of isolated 12 bit analog outputs
- Settling time to 0.012% is 10 $\mu$ s maximum
- Full-scale output range +/- 10V or 0-10V
- Factory calibrated, calibration information stored in EEPROM
- Operating temperature -40°C to +85°C

**powerBridge**  
Computer

Ehlbeek 15a  
30938 Burgwedel  
fon 05139-9980-0  
fax 05139-9980-49

[www.powerbridge.de](http://www.powerbridge.de)  
[info@powerbridge.de](mailto:info@powerbridge.de)



## Order Information

### RoHS Compliant

<b>TPMC550-10R</b>	8 Channel Isolated 12 bit D/A, +/- 10V or 0-10V, DB25
<b>TPMC550-11R</b>	4 Channel Isolated 12 bit D/A, +/- 10V or 0-10V, DB25
<b>TPMC550-20R</b>	8 Channel Isolated 12 bit D/A, +/- 10V or 0-10V, P14 I/O
<b>TPMC550-21R</b>	4 Channel Isolated 12 bit D/A, +/- 10V or 0-10V, P14 I/O

For the availability of non-RoHS compliant (lead solder) products please contact TEWS.

### Documentation

<b>TPMC550-DOC</b>	User Manual
--------------------	-------------

### Software

<b>TPMC550-SW-25</b>	Integrity Software Support
<b>TPMC550-SW-42</b>	VxWorks Software Support (Legacy and VxBus-Enabled Software Support)
<b>TPMC550-SW-65</b>	Windows Software Support
<b>TPMC550-SW-82</b>	Linux Software Support
<b>TPMC550-SW-95</b>	QNX Software Support

For other operating systems please contact TEWS.

### Related Products

<b>TA303</b>	Cable Kit for Modules with DB25 Female Connector
<b>TPIM001</b>	PIM I/O Module, HD50 connector