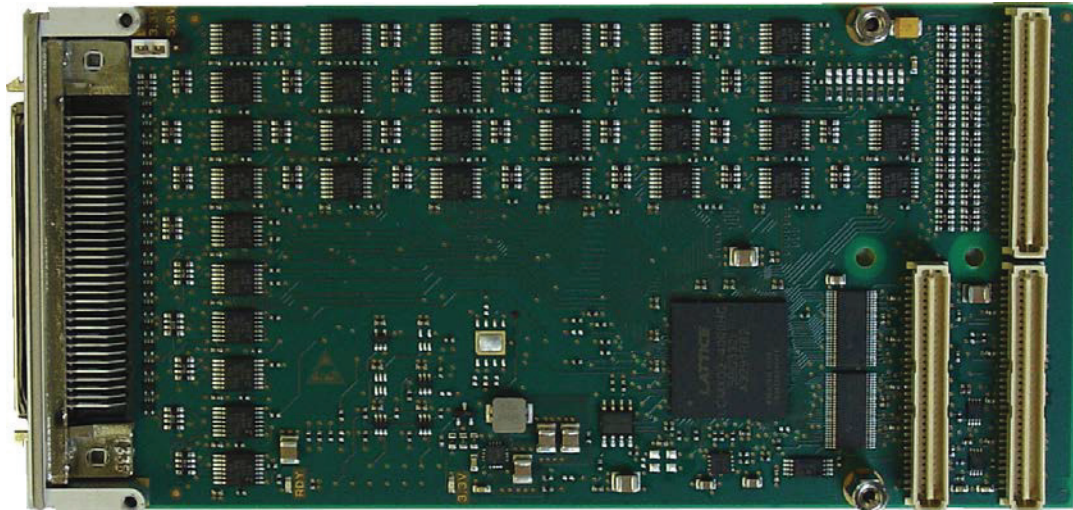


## TPMC681 64 Digital Inputs/Outputs (Bit I/O)



### Application Information

The TPMC681 is a standard single-width 32 bit PMC module offering 64 ESD-protected TTL I/Os. Each line is individually programmable as input, output or tri-state. The receivers are always enabled, which allows determining the state of each I/O line at any time. This can be used as read back function for lines configured as outputs. Each TTL I/O line has a pull-up resistor. The pull-up voltage is selectable to be either +3.3V or +5V.

Each input can generate an interrupt. Signal edge handling is programmable to interrupt on rising and/or falling edge of an input signal. Interrupts can be enabled

and disabled for each bit. For interrupt source detection the status of each bit can be read from interrupt status registers.

The TPMC681 provides front panel I/O via a HD68 SCSI-3 type connector and rear panel I/O via P14.

Software Support (TDRV006-SW-xx) for different operating systems is available.

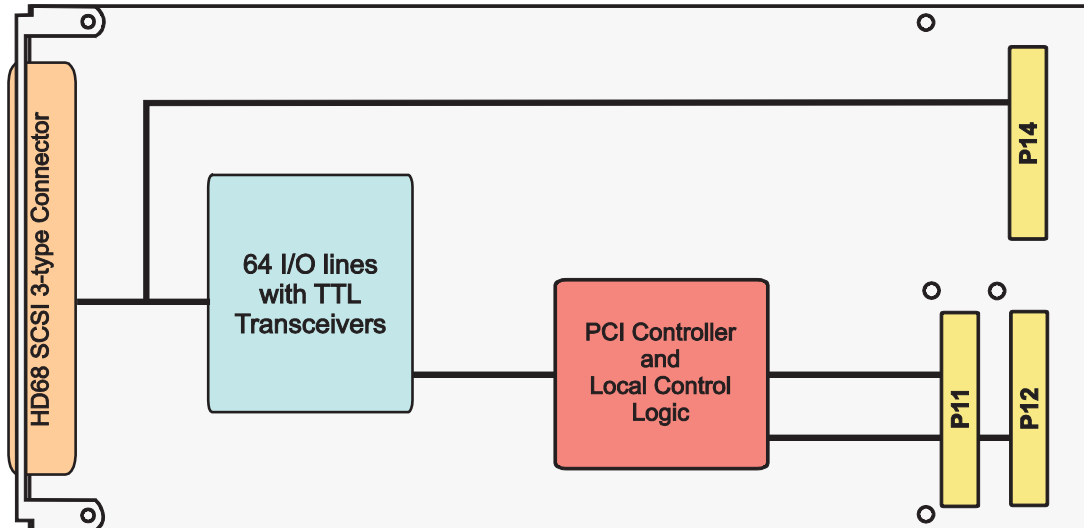
### Technical Information

- Standard single-width 32 bit PMC module conforming to IEEE P1386.1
- PCI 3.0 compatible interface
- 3.3V and 5V PCI Signaling Voltage
- Board size: 149 mm x 74 mm
- 64 interrupt generating digital I/O lines
  - 64 TTL I/Os
  - Direction individually programmable per line
  - TTL signaling voltage (maximum current: +/-24mA)
- ESD and overvoltage protection for each I/O line
- I/O access:
  - 64 I/O lines on HD68 front connector,
  - parallel to up to 64 I/O lines on rear connector P14 (upper 8 lines changeable to system ground)
- Temperature range: -40°C to +85°C

powerBridge  
Computer 

Ehlbeek 15a  
30938 Burgwedel  
fon 05139-9980-0  
fax 05139-9980-49

www.powerbridge.de  
info@powerbridge.de



## Order Information

### RoHS Compliant

**TPMC681-10R** 64-bit TTL I/O, Bit I/O, interrupts, HD68 and P14 I/O

For the availability of non-RoHS compliant (lead solder) products please contact TEWS.

### Documentation

**TPMC680-DOC** User Manual

### Software

**TDRV006-SW-25** Integrity Software Support

**TDRV006-SW-42** VxWorks Software Support (Legacy and VxBus-Enabled Software Support)

**TDRV006-SW-65** Windows Software Support

**TDRV006-SW-82** Linux Software Support

**TDRV006-SW-95** QNX Software Support

For other operating systems please contact TEWS.

### Related Products

**TA304** Cable Kit for Modules with HD68 Connector

**TPIM003** PIM I/O Module, HD68 connector, special pin assignment