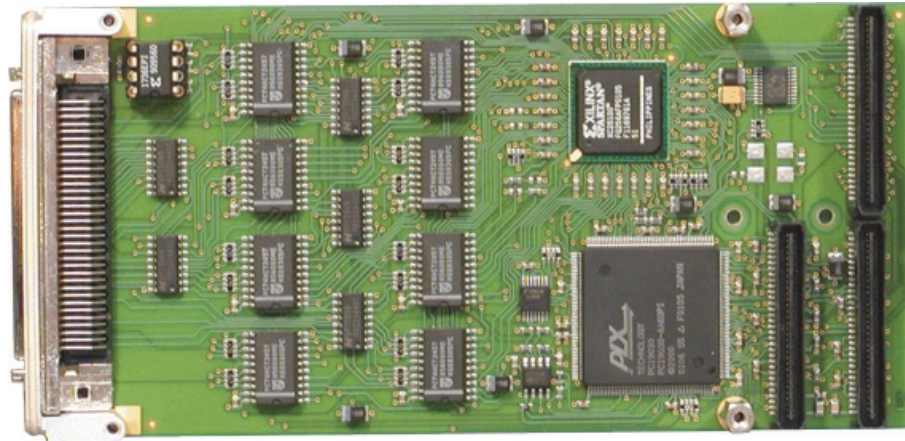


TPMC682 3 x 16 bit I/O Ports with 512 Word FIFO and Handshake



Application Information

The TPMC682 is a standard single-width 32 bit PMC with three 16 bit TTL digital input/output lines controlled by handshake signals. These handshake signals run over an additional 8 bit input and an 8 bit output port. Interlocked or pulsed handshake protocol is provided. Each I/O port has a 512 words deep FIFO. All I/O lines are protected by bus transceivers and ESD protection devices.

The PLX PCI9030 PCI target chip is used for the PCI interface.

An interrupt can be generated on INTA, when the filling level of a FIFO exceeds the value of the individually programmable threshold. Each port has a programmable timeout counter for input direction of data.

The TPMC682 provides front panel I/O via a HD68 SCSI-3 type connector and rear panel I/O via P14.

Software Support (TDRV008-SW-xx) for different operating systems is available.

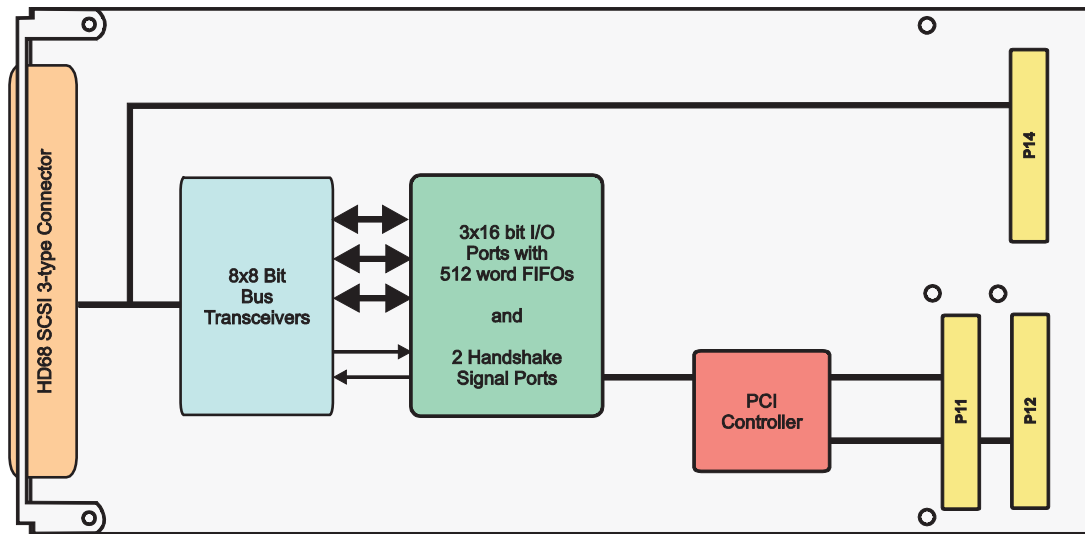
Technical Information

- Standard single-width 32 bit PMC module conforming to IEEE P1386.1
- PCI 2.1 compliant interface
- 3.3V and 5V PCI Signaling Voltage
- Board size: 149 mm x 74 mm
- Digital Input/Output Ports
 - TTL I/O's arranged in 3 x 16 bit ports and 2 x 8 bit ports for handshake signals and for general purpose
 - 512 word FIFO for each I/O port
 - individually programmable FIFO thresholds
 - programmable timeout for reading
 - Direction programmable per 16 bit port
 - TTL signaling voltage (maximum current: +/-8mA)
- ESD and overvoltage protection for each I/O line
- I/O access:
 - 64 I/O lines on HD68 front connector, parallel to
 - 56 I/O lines (Port 0/1 [15:0], Port 2 [7:0]) and system ground on rear connector P14; changeable to 64 I/O lines (Port 0/1/2 [15:0]) without ground
- Temperature range: -40°C to +85°C

powerBridge
Computer

Ehlbeek 15a
30938 Burgwedel
fon 05139-9980-0
fax 05139-9980-49

www.powerbridge.de
info@powerbridge.de



Order Information

RoHS Compliant

TPMC682-10R 3 x 16-bit I/O Port, 512 Word FIFO, Handshake, interrupts, HD68 and P14 I/O

For the availability of non-RoHS compliant (leaded solder) products please contact TEWS.

Documentation

TPMC682-DOC User Manual

Software

TDRV008-SW-25 Integrity Software Support

TDRV008-SW-42 VxWorks Software Support (Legacy and VxBus-Enabled Software Support)

TDRV008-SW-65 Windows Software Support

TDRV008-SW-82 Linux Software Support

TDRV008-SW-95 QNX Software Support

For other operating systems please contact TEWS.

Related Products

TA304 Cable Kit for Modules with HD68 Connector

TPIM002 PIM I/O Module, HD68 connector