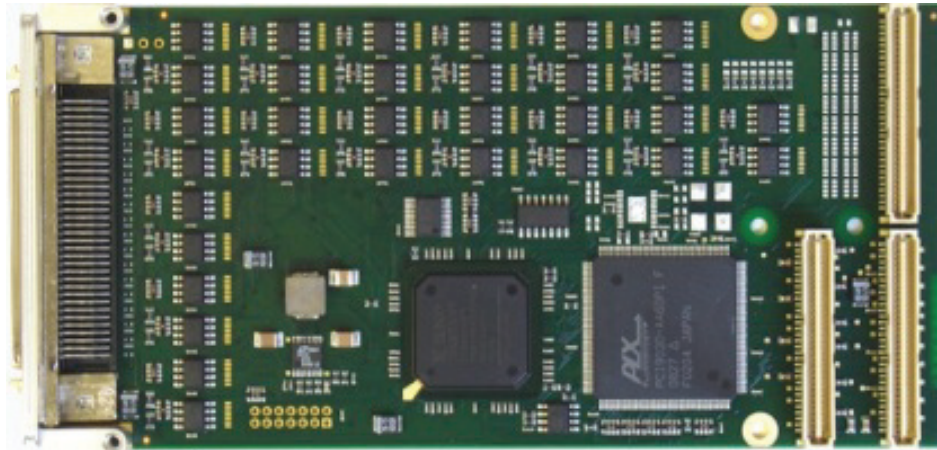


## TPMC683 32 RS422/RS485 Differential I/O



### Application Information

The TPMC683 is a standard single-width 32 bit PMC module offering 32 differential I/O lines using EIA-422 / EIA-485 compatible, ESD-protected line transceivers.

Each line is individually programmable as input or output. The receivers are always enabled, which allows determining the state of each I/O line at any time. This can be used as read back function for lines configured as outputs.

Each input can generate an interrupt. Signal edge handling is programmable to interrupt on rising and/or falling edge of an input signal. Interrupts can be enabled and disabled for each bit. For interrupt source detection, the status of each line can be read from interrupt status registers.

The TPMC683 provides front panel I/O via a HD68 SCSI-3 type connector and rear panel I/O via P14.

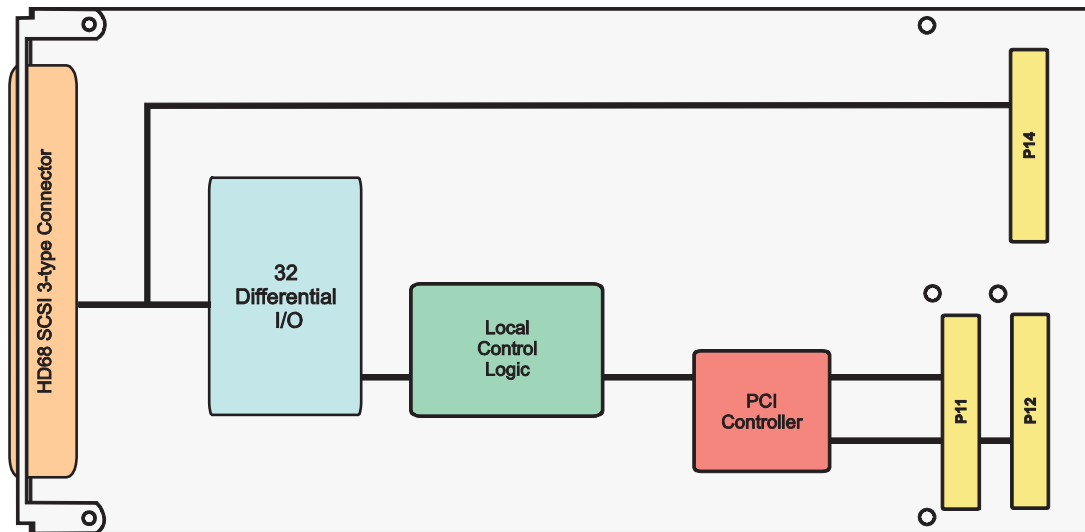
Software Support (TDRV012-SW-xx) for different operating systems is available.

### Technical Information

- Form Factor: Standard single-width 32 bit PMC module conforming to IEEE P1386.1
  - Board size: 149 mm x 74 mm
  - PCI 2.1 compliant interface
  - 3.3V and 5V PCI Signaling Voltage
- Interrupt generating differential I/O lines
  - 32 differential I/Os
  - EIA-422/-485 signaling level
  - Direction individually programmable per line
  - 120Ω termination resistor
  - 15kV ESD protection
- I/O access:
  - 32 I/O lines on HD68 front connector, parallel to up to 32 I/O lines on rear connector P14
  - Operating temperature -40°C to +85°C
  - MTBF (MIL-HDBK217F/FN2 G<sub>B</sub> 20°C) TPMC683-10R: 451000 h

powerBridge  
Computer

Ehlbeek 15a  
30938 Burgwedel  
fon 05139-9980-0  
fax 05139-9980-49  
www.powerbridge.de  
info@powerbridge.de



## Order Information

### RoHS Compliant

**TPMC683-10R** 32 RS422/RS485 Differential I/O, interrupts, HD68 and P14 I/O

For the availability of non-RoHS compliant (lead solder) products please contact TEWS.

### Documentation

**TPMC683-DOC** User Manual

### Software

**TDRV012-SW-25** Integrity Software Support

**TDRV012-SW-42** VxWorks Software Support (Legacy and VxBus-Enabled Software Support)

**TDRV012-SW-65** Windows Software Support

**TDRV012-SW-82** Linux Software Support

**TDRV012-SW-95** QNX Software Support

For other operating systems please contact TEWS.

### Related Products

**TA304** Cable Kit for Modules with HD68 Connector

**TPIM003** PIM I/O Module, HD68 connector, special pin assignment