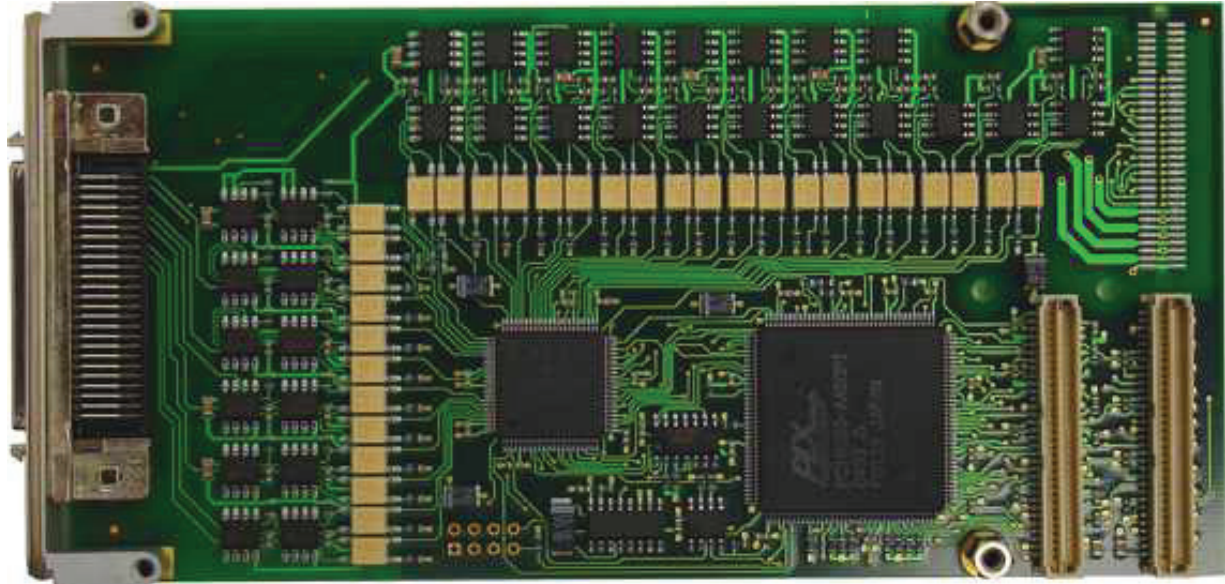


TPMC700 32 / 16 Digital Outputs (24V, 0.5A) High Side Switches



Application Information

The PMC compatible module TPMC700 has 32 (16) digital outputs with galvanic isolation via optocouplers. All outputs resist short-circuits and are protected against thermal overload. The output drivers are capable of driving 0.5A continuous per channel as high side switch. A hardware watchdog clears all outputs in case of trigger failure.

The TPMC700-1xR provides front panel I/O with a HD50 SCSI-2 type connector, the TPMC700-2xR provides P14 I/O.

Software Support (TPMC700-SW-xx) is available for different operating systems.

Technical Information

- Standard single-width 32 bit PMC module conforming to IEEE P1386.1
- PCI 2.1 compliant interface
- Board size: 149 mm x 74 mm
- 32 / 16 digital outputs, high side switches
- 24 V signal voltage, current per output 0.5A
- Optocoupler for galvanic isolation
- Outputs are short-circuit protected
- Outputs are isolated by optocouplers from the system and in two groups against each other
- Outputs are protected against thermal overload
- Watchdog timer resets all channels in case of trigger failure

powerBridge
Computer

Ehlbeek 15a
30938 Burgwedel
fon 05139-9980-0
fax 05139-9980-49

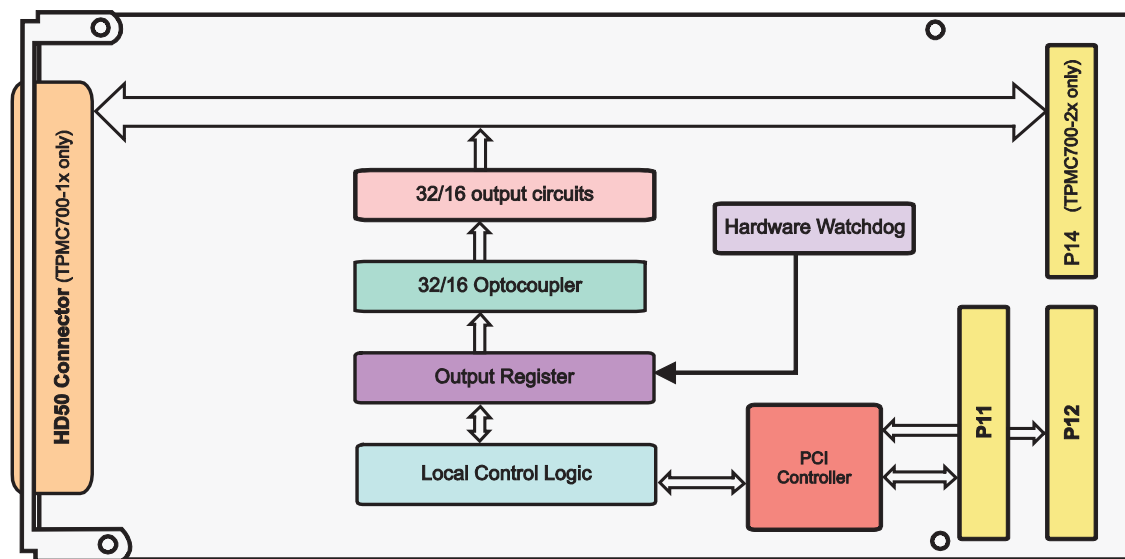
www.powerbridge.de
info@powerbridge.de

TEWS TECHNOLOGIES GmbH keeps the right to change technical specification without further notice.
All trademarks mentioned are property of their respective owners.

Issue 1.1.1
2017-08-31

TEWS TECHNOLOGIES GmbH

Am Bahnhof 7 25469 Halstenbek, Germany
Phone: +49 (0) 4101 4058 0 Fax: +49 (0) 4101 4058 19
e-mail: info@tews.com www.tews.com



Order Information

RoHS Compliant

TPMC700-10R	32 Digital Outputs, High Side 24V 0.5A, HD50
TPMC700-11R	16 Digital Outputs, High Side 24V 0.5A, HD50
TPMC700-20R	32 Digital Outputs, High Side 24V 0.5A, P14 I/O
TPMC700-21R	16 Digital Outputs, High Side 24V 0.5A, P14 I/O

For the availability of non-RoHS compliant (lead solder) products please contact TEWS.

Documentation

TPMC700-DOC	User Manual
--------------------	-------------

Software

TPMC700-SW-25	Integrity Software Support
TPMC700-SW-42	VxWorks Software Support (Legacy and VxBus-Enabled Software Support)
TPMC700-SW-65	Windows Software Support
TPMC700-SW-82	Linux Software Support
TPMC700-SW-95	QNX Software Support

For other operating systems please contact TEWS.

Related Products

TA301	Cable Kit for modules with HD50 connector
TPIM001	PIM I/O Module, HD50 connector