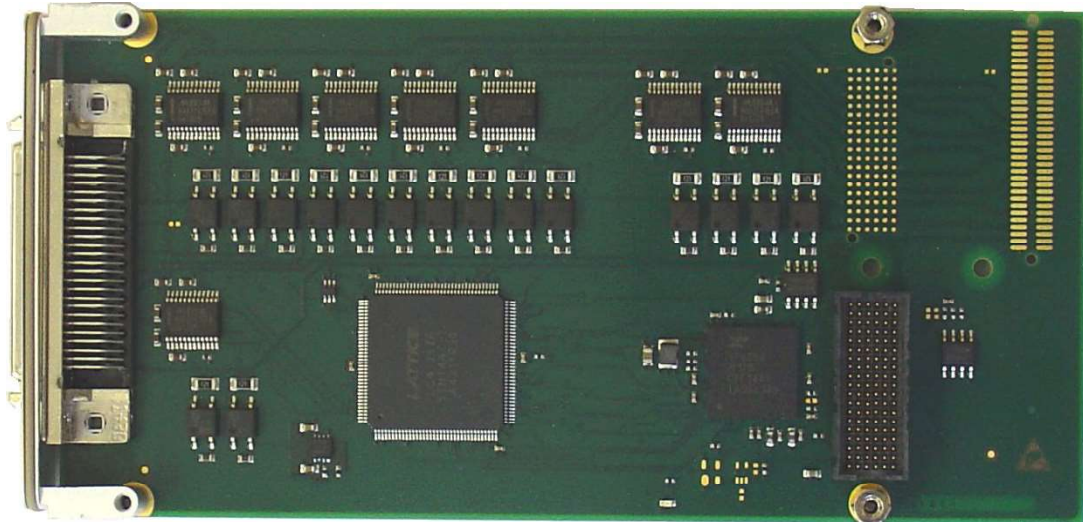


TXMC465 8 Channel RS232/RS422/RS485 Programmable Serial Interface



TXMC465-10R

Application Information

The TXMC465 is a standard Switched Mezzanine Card (XMC) compatible module offering 8 channels of high performance RS232/RS422/RS485 programmable asynchronous serial interface. The module offers front panel I/O with a HD50 SCSI-2 type connector. The TXMC465-20R offers additional P16 I/O, the TXMC465-30R offers additional P14 I/O.

The serial channels can be individually programmed to operate as RS232, RS422 or RS485 full duplex/half duplex interface. In addition programmable termination is provided for the RS422/RS485 interfaces. After power-up all serial I/O lines are in a high impedance state.

Each RS232 channel supports Rx/D, Tx/D, RTS, CTS and GND. RS422 and RS485 full duplex supports a four wire interface (RX+, RX-, TX+, TX-) plus ground (GND). RS485 half duplex supports a two wire interface (DX+, DX-) plus ground (GND).

Each channel has 256 byte transmit and receive FIFOs to significantly reduce the overhead required to provide data to and get data from the transmitters and receivers. The FIFO trigger levels are programmable and the baud rate is individually programmable up to 1 Mbps for RS232 channels and 10 Mbps for RS422/RS485 channels. The UART offers readable FIFO levels.

All serial channels use ESD protected transceivers. ESD protection is up to $\pm 15\text{KV}$.

Software Support (TDRV002-SW-xx) for different operating systems is available.



Ehlbeek 15a
30938 Burgwedel
fon 05139-9980-0 www.powerbridge.de
fax 05139-9980-49 info@powerbridge.de

TEWS TECHNOLOGIES GmbH keeps the right to change technical specification without further notice.
All trademarks mentioned are property of their respective owners.

Issue 1.0.3
2017-09-07

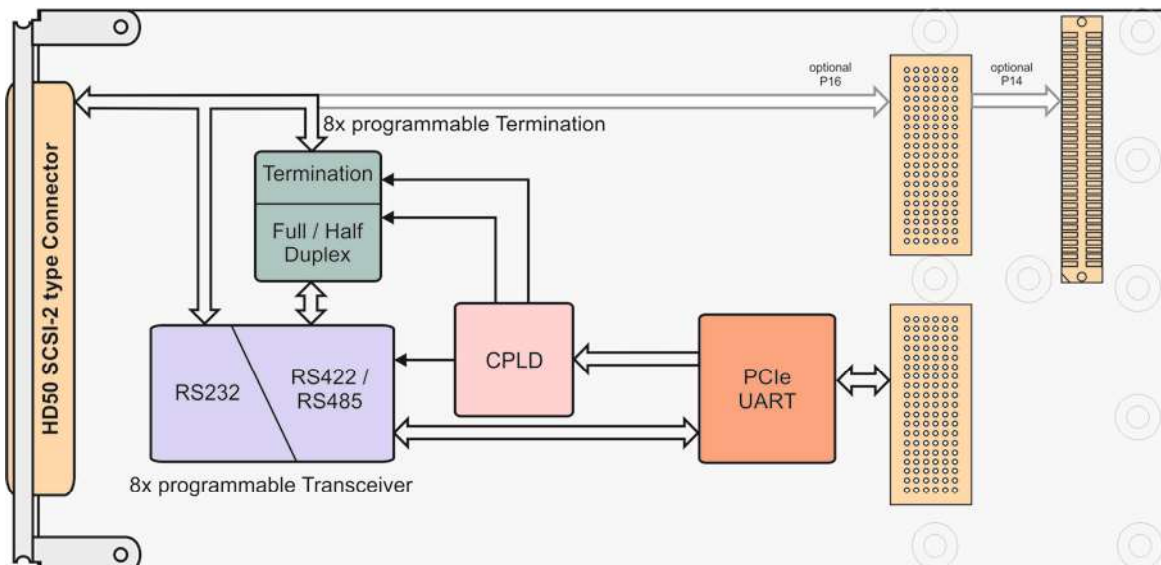
TEWS TECHNOLOGIES GmbH

Am Bahnhof 7 25469 Halstenbek, Germany
Phone: +49 (0) 4101 4058 0 Fax: +49 (0) 4101 4058 19
e-mail: info@tews.com www.tews.com

The Embedded I/O Company

Technical Information

- Form Factor: Standard single-width XMC module conforming to ANSI/VITA 42.0-2008
 - Board size: 149 mm x 74 mm
 - x1 PCI Express (Base Specification 2.0 Gen 1) compliant interface conforming to ANSI/VITA 42.3-2006
 - IPMI resource: FRU hardware definition information stored in on-board EEPROM
- Asynchronous serial interface
- Octal UART: Exar XR17V358
- Programmable Interfaces:
 - RS232
 - RS422
 - RS485 full duplex
 - RS485 half duplex
 - Programmable Termination for RS422/RS485
- Support of Rx/D, Tx/D, RTS, CTS and GND for each RS232 channel; Rx/D+/-, Tx/D+/- and GND for each RS422/RS485 FD channel; D+/- and GND for each RS485 HD channel
- Programmable baud rates:
 - RS232: up to 1 Mbps
 - RS422/RS485: up to 10 Mbps
- 256 byte transmit FIFO per channel
- 256 byte receive FIFO per channel
- Readable FIFO levels
- Global Interrupt Source Register
- General Purpose 16 bit Timer/Counter
- Back I/O:
 - TXMC465-20R: P16
 - TXMC465-30R: P14
- ESD protected transceiver (up to ± 15KV)
- Operating temperature -40°C to +85°C
- MTBF (MIL-HDBK217F/FN2 GB 20°C)
TXMC465-10R: 1 355 000 h



The Embedded I/O Company

Order Information

RoHS Compliant

TXMC465-10R	8 Channel Programmable RS232/RS422/RS485, HD50
TXMC465-20R	8 Channel Programmable RS232/RS422/RS485, HD50, P16 I/O
TXMC465-30R	8 Channel Programmable RS232/RS422/RS485, HD50, P14 I/O

For the availability of non-RoHS compliant (lead solder) products please contact TEWS.

Documentation

TXMC465-DOC	User Manual
--------------------	-------------

Software

TDRV002-SW-25	Integrity Software Support
TDRV002-SW-42	VxWorks Software Support (Legacy and VxBus-Enabled Software Support)
TDRV002-SW-65	Windows Software Support
TDRV002-SW-82	Linux Software Support
TDRV002-SW-95	QNX Software Support

For other operating systems please contact TEWS.

Related Products

TA301	Cable Kit for Modules with HD50 Connector
--------------	---