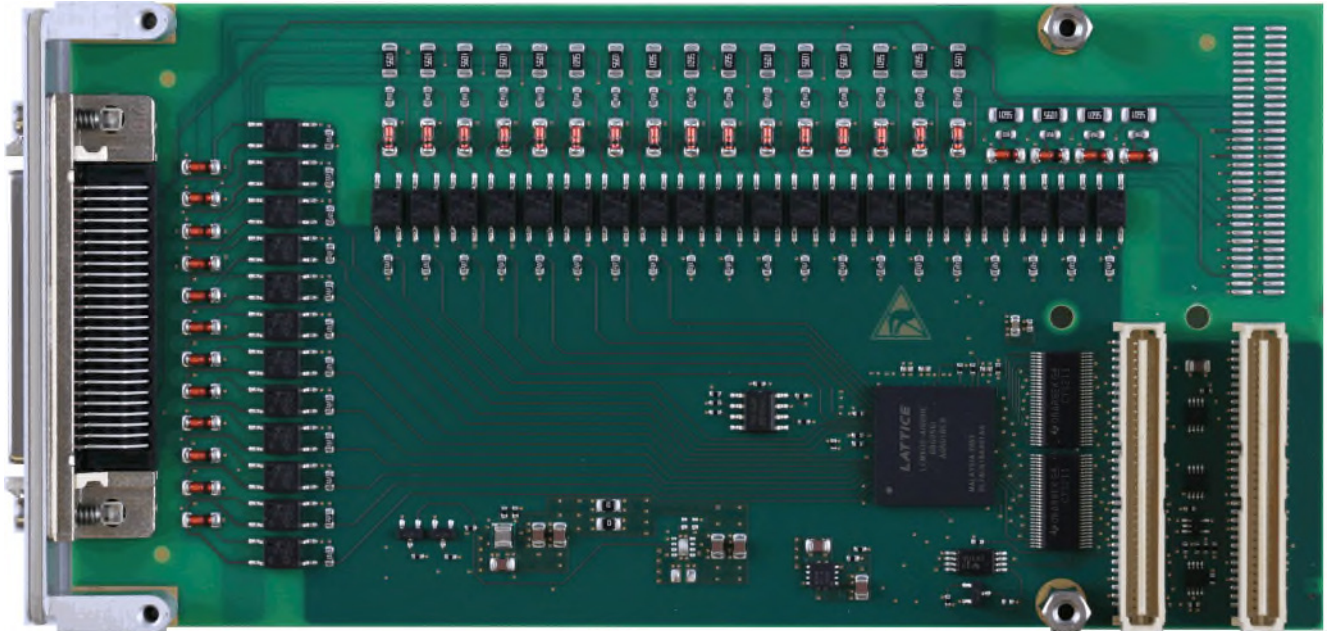


TPMC600 32 Interrupt Generating Digital Inputs (24V)



Application Information

The TPMC600 is a PMC compatible module and has 32 digital inputs galvanically isolated by optocouplers. The individual inputs are separated in groups of 4 sharing a common ground input. These groups are potential free to each other. A high performance input circuit ensures a defined switching point and polarization protection against confusing the pole. All inputs have an electronic debounce circuit with a programmable debounce time.

The modules are with front or back panel I/O available. All inputs can generate an interrupt. The signal edge handling is programmable.

Software Support (TPMC600-SW-xx) for different operating systems is available.

Technical Information

- Standard single-width 32 bit PMC module conforming to IEEE P1386.1
- PCI3.0 compatible Interface, 32 bit, 33 MHz
- 3.3V and 5V PCI Signaling Voltage
- 32 interrupt generating digital inputs
- 24 V signal voltage for inputs, other voltages on request
- Optocoupler for galvanic isolation of inputs to computer
- All inputs isolated to each other in groups of four inputs
- Protection against confusing the pole
- Programmable electronic debounce circuit (7 μ s to 440ms in steps of 7 μ s)
- Operating temperature: -40°C to +85°C

powerBridge
Computer

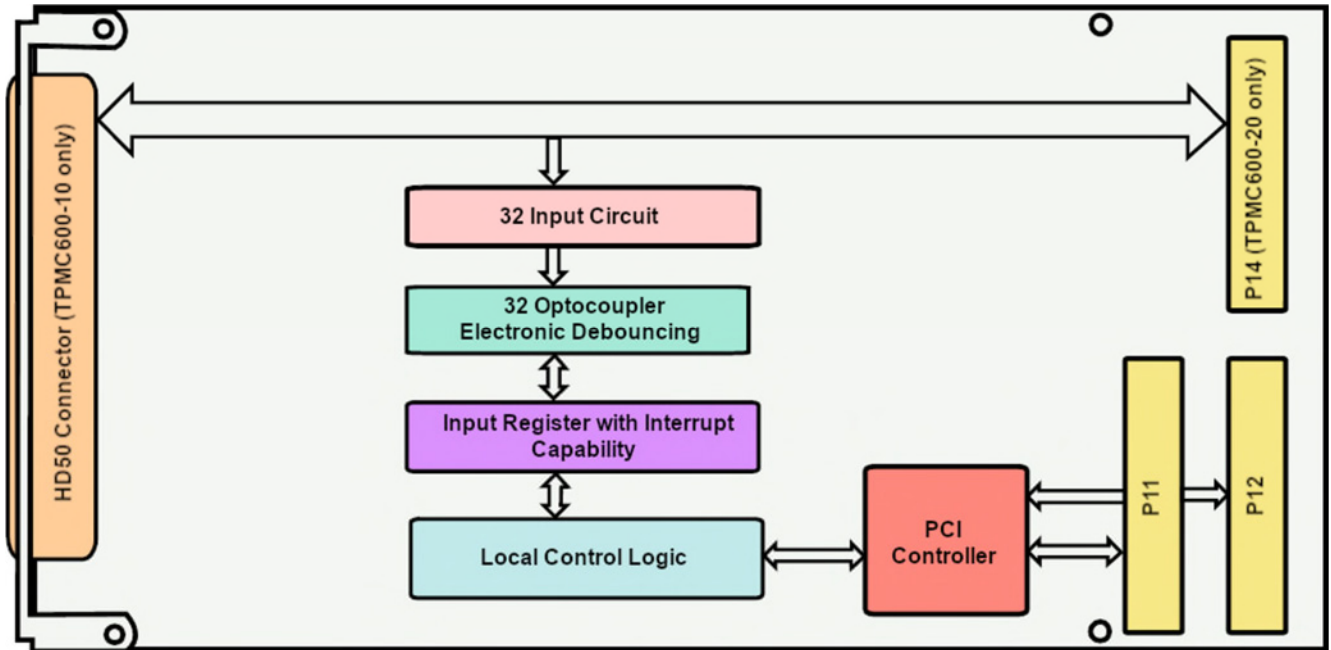
Ehlbeek 15a
30938 Burgwedel
fon 05139-9980-0 www.powerbridge.de
fax 05139-9980-49 info@powerbridge.de

TEWS TECHNOLOGIES GmbH keeps the right to change technical specification without further notice.
All trademarks mentioned are property of their respective owners.

Issue 2.0.1
2022-01-11

TEWS TECHNOLOGIES GmbH

Am Bahnhof 7 25469 Halstenbek, Germany
Phone: +49 (0) 4101 4058 0 Fax: +49 (0) 4101 4058 19
e-mail: info@tews.com www.tews.com



Order Information

RoHS Compliant

TPMC600-10R 32 Interrupt Generating Digital Inputs, Front panel I/O, HD50
TPMC600-20R 32 Interrupt Generating Digital Inputs, P14 I/O

For the availability of non-RoHS compliant (lead solder) products please contact TEWS.

Documentation

TPMC600-DOC User Manual

Software

TPMC600-SW-25 Integrity Software Support
TPMC600-SW-42 VxWorks Software Support (Legacy and VxBus-Enabled Software Support)
TPMC600-SW-65 Windows Software Support
TPMC600-SW-82 Linux Software Support
TPMC600-SW-95 QNX Software Support

For other operating systems please contact TEWS.

Related Products

TA301 Cable Kit for modules with HD50 connector
TPIM001 PIM I/O Module with HD50 SCSI-2 type connector